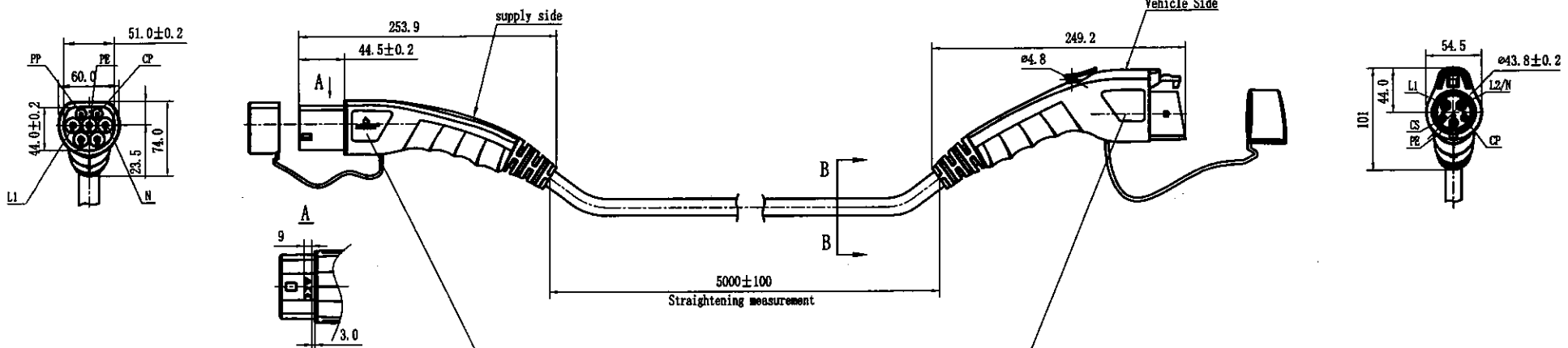
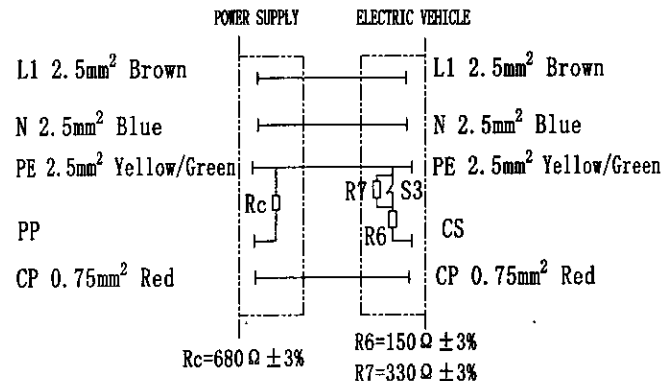


REVISION RECORD				
REV	ECN	DESCRIPTION	DRFT	DATE



Wiring diagram



Laser Printing Front Note:

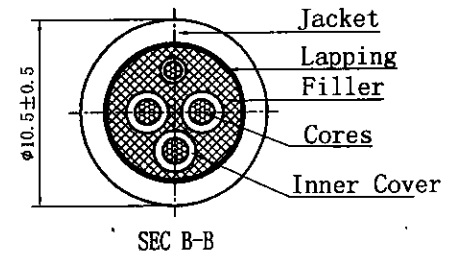
Laser Printing Back Note(Arial):

MEAC-S-016A-P1-03-5.0M-30AH  
 16A 250V AC  
 IEC 62196-2:2016  
 IP54  
 201xxxx-xxxx

Laser Printing Front Note(Arial):

MAAC-S-016A-V-03-5.0M-30AH  
 16A 250V AC  
 IEC 62196-2:2016  
 IP54  
 201xxxx-xxxx

Laser Printing Back Note:



Technical parameters

Rated voltage	250V AC
Rated current	16A
Temperature range	-30°C~+50°C
Insulate resistance	>5M $\Omega$ , 500V DC 1Min
Withstanding voltage	L, N AND PE, 2500V AC 1Min
	L AND N, 2500V AC 1Min
Ingress protection	IP54
The insertion/pullout times	10000 TIMES
Insertion/pullout force	<100N
Reference standard	IEC 62196-2:2016

Customer Drawing

- NOTES:
1. Cable: IEC 62893-3/EN50620-2017  
EV 3\*2.5mm<sup>2</sup>+1\*0.75mm<sup>2</sup> Black
  2. RoHS Compliance

Size Range	.XX	.X
≤6	±0.05	±0.10
6~30	±0.10	±0.20
30~120	±0.15	±0.30
120~400	±0.20	±0.50
400~1000	±0.30	±0.80
1000~2000	±0.50	±1.20
Angle Range	.XX	.X
	±0.5°	±1.0°

PART NO. : /	宁波高松电子有限公司 NINGBO DEGSON ELECTRICAL CO., LTD		
	APPD: ZX 2020.1.16 CHKD: DT 2020.1.16 DRFT: XP LUO 2020-01-16	NAME: EV ELECTRIC VEHICLE AND EV POWER SUPPLY (16A single-phase) MEAC-S-016A-VP1-03-5.0M-30AH	
	TITLE: Customer Drawing	REV	DO-1
THIRD ANGLE PROJECTION	DRAWING NO. : /	SHEET	1/1
	MM (INCH)	DO NOT SCALE DRAWING	SCALE 1:6