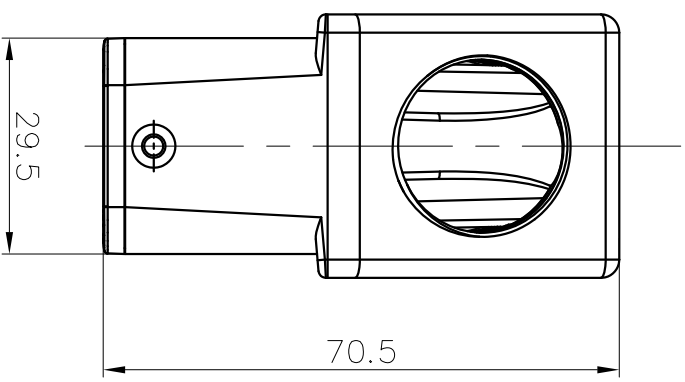
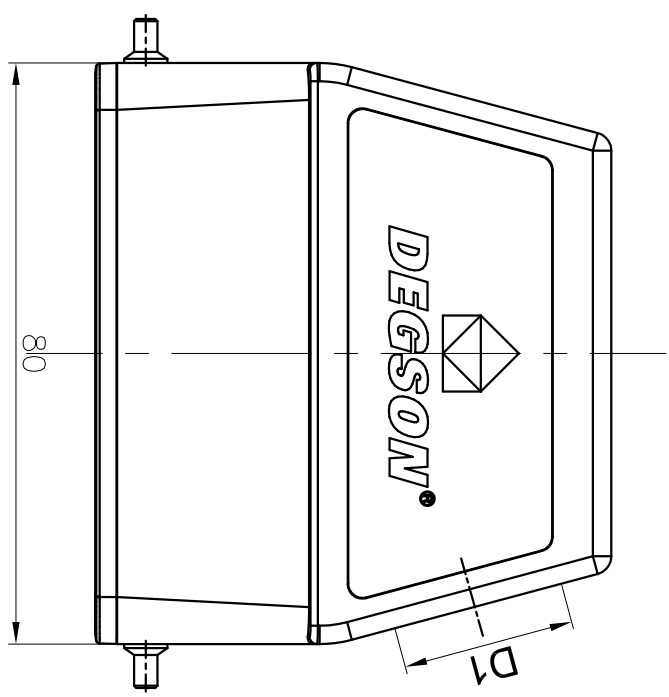
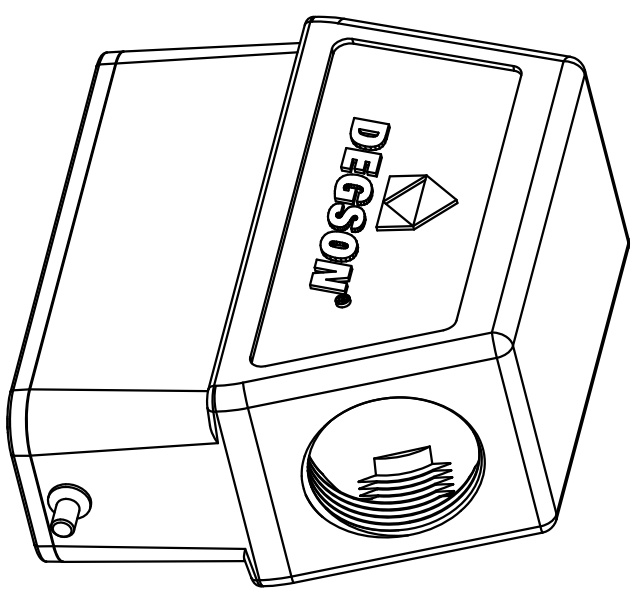


TYPE	Thread(D1)	Selection
D16A-SEH-2g-M25	M25	
D16A-SEH-2g-PG16	PG16	
D16A-SEH-2g-PG21	PG21	

REVISION RECORD				
REV	ECN	DESCRIPTION	DRFT	DATE



Hoods Feature

- 01. Material:Aluminium die-cast
- 02. Surface:Powder-coated
- 03. Color:grey (RAL 7037)
- 04. Limiting temperatures::-40℃~+125℃
- 05. Sealing:NBR
- 06. Flammability acc to UL94:V0
- 07. Degree of protection acc. to EN60529 for coupled connector: IP65
- 08. Rohs Compliance

DETACHED LISTS			
PART NO.:		NAME:	<b>DEGSON</b> NINGBO DEGSON ELECTRICAL CO.,LTD 宁波高松电子有限公司
APPD:		TITLE:	D16A-SEH-2g-M/PG CUSTOMER DRAWING
CHKD:		DRAWING NO.:	
DRFT:	Mr. yong 2016.08.15	REV	DO-1
THIRD ANGLE PROJECTION		SHEET	1/1
		DO NOT SCALE DRAWING	SCALE 1:1

A 8 7 6 5 4 3 2 1