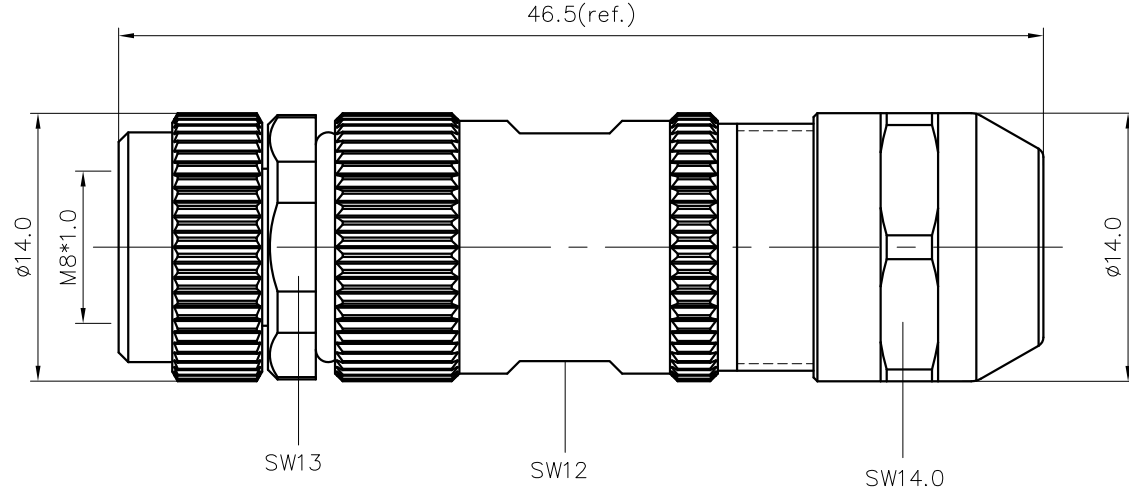
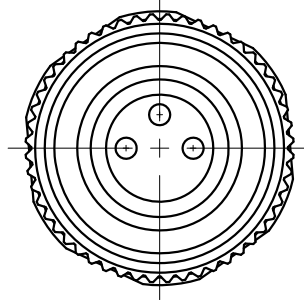


REVISION RECORD

REV	ECN	DESCRIPTION	DRFT	DATE
-----	-----	-------------	------	------



NOTES:

- Rated voltage/current : 3pin: 60V / 3A
4pin: 60V / 3A
5pin: 30V / 3A
6pin: 30V / 1.5A
8pin: 30V / 1.5A
- Withstanding voltage : 3,4pin: AC850V/1Min
5,6,8pin: AC650V/1Min
- Levels of protection: IP67
- Wire range : 3pin: 24~22AWG/0.25~0.34mm²
4pin: 24~22AWG/0.25~0.34mm²
5pin: 24~22AWG/0.25~0.34mm²
6pin: 26~24AWG/0.14~0.25mm²
8pin: 26~24AWG/0.14~0.25mm²
- Cable range : 4~6mm
- Wire connection mode: soldering
- Operating temperature: -40°C~+85°C
- RoHS Compliance
- Tolerance : ±0.5mm

PASH-M8X-XXP-FF-SL7001-00A(H)

Coding: A,B
Pin number: 03,04,
05,06,08

6pin A Coding	8pin A Coding	
Pin Assignment Front View	Pin Assignment Front View	
3pin A Coding	4pin A Coding	5pin B Coding
Pin Assignment Front View	Pin Assignment Front View	Pin Assignment Front View

DETACHED LISTS	PART NO.: PASHM8XXXPFSL700100AH	宁波高松电子有限公司 NINGBO DEGSON ELECTRICAL CO., LTD		
	APPD:	NAME: PASH-M8X-XXP-FF-SL7001-00A(H)		
	CHKD:	TITLE: CUSTOMER DRAWING		
	DRFT: SQ 2019.05.17	REV: D0-1	SHEET: 1/1	
THIRD ANGLE PROJECTION		DRAWING NO.: XXXXXXXX-XX-CXX	SCALE: 1:1	DO NOT SCALE DRAWING