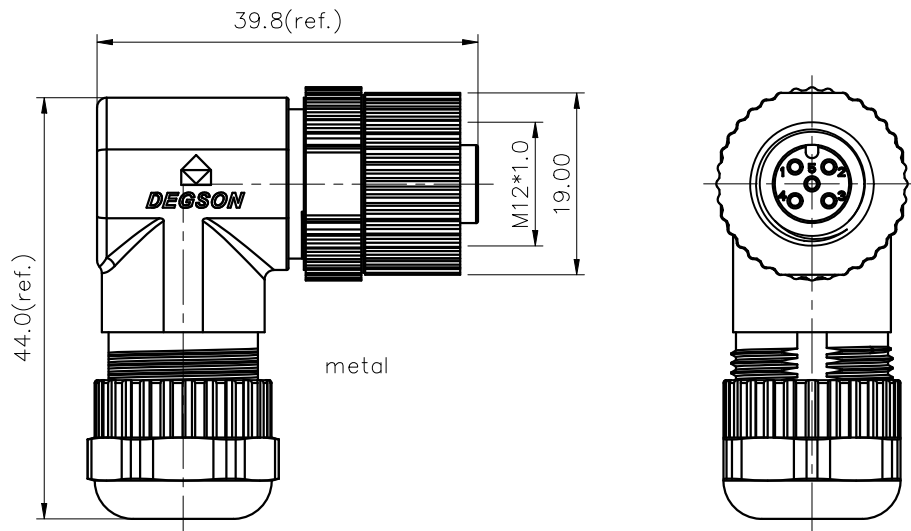


REVISION RECORD

REV	ECN	DESCRIPTION	DRFT	DATE
-----	-----	-------------	------	------



NOTES:

- Rated voltage/current : 3pin A: 250V / 4A  
4pin A: 250V / 4A  
5pin A: 60V / 4A  
6pin A: 30V / 2A  
8pin A: 30V / 2A  
5pin B: 60V / 4A  
4pin D: 250V / 4A
- Withstanding voltage : 3,4pin A: AC1400V/1Min  
5pin A: AC1000V/1Min  
6,8pin A: AC650V/1Min  
5pin B: AC1000V/1Min  
4pin D: AC1400V/1Min
- Levels of protection: IP67
- Wire range :  
3pin A: 24~22AWG/0.25~0.34mm<sup>2</sup>  
4pin A: 24~22AWG/0.25~0.34mm<sup>2</sup>  
5pin A: 24~22AWG/0.25~0.34mm<sup>2</sup>  
6pin A: 24~22AWG/0.25~0.34mm<sup>2</sup>  
8pin A: 24~22AWG/0.25~0.34mm<sup>2</sup>  
5pin B: 24~22AWG/0.25~0.34mm<sup>2</sup>  
4pin D: 24~22AWG/0.25~0.34mm<sup>2</sup>
- Cable OD: 4.5~7.5mm
- Wire connection mode: screw
- Working temperature: -40°C~+105°C
- RoHS Compliance
- Tolerance : ±0.5mm

5pin B Coding	4pin D Coding
Pin Assignments Front View	Pin Assignments Front View

PBSH-M12X-XXP-FF-SR700X-00A(H)

Coding: A,B,D

001: Cable OD: 4.5~6.0mm  
002: Cable OD: 6.0~7.5mm

Pin number: 03,04,05, 06,08

3pin A Coding	4pin A Coding	5pin A Coding	6pin A Coding	8pin A Coding
Pin Assignments Front View	Pin Assignments Front View	Pin Assignments Front View	Pin Assignments Front View	Pin Assignments Front View

DETACHED LISTS	PART NO.: PBSHM12XXXPPFSR700X00AH	宁波高松电子有限公司 NINGBO DEGSON ELECTRICAL CO., LTD		
	APPD: David 2024.07.19	NAME: PBSH-M12X-XXP-FF-SR700X-00A(H)		
	CHKD: David 2024.07.19	DRFT: YKW 2024.07.19		
	TITLE: CUSTOMER DRAWING		REV	D0-2
DRAWING NO.: XXXXXXXX-XX-CXX		SHEET	1/1	
THIRD ANGLE PROJECTION		MM (INCH)	DO NOT SCALE DRAWING	SCALE 1:1