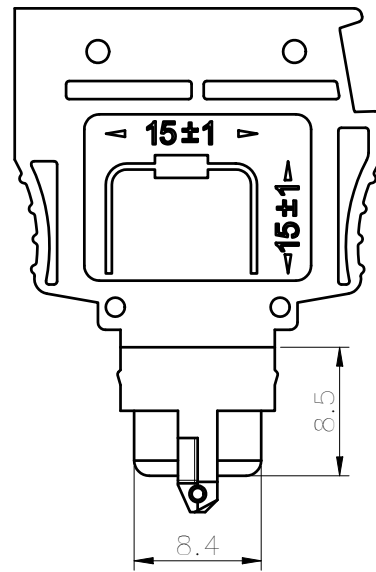
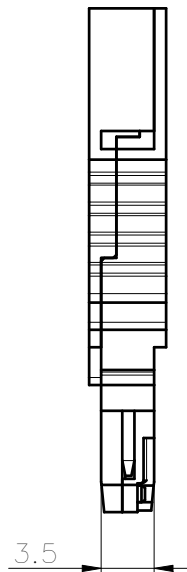
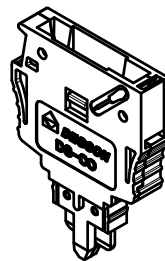
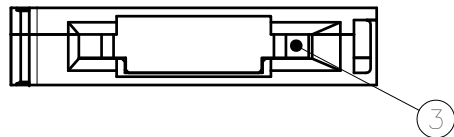
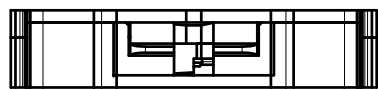
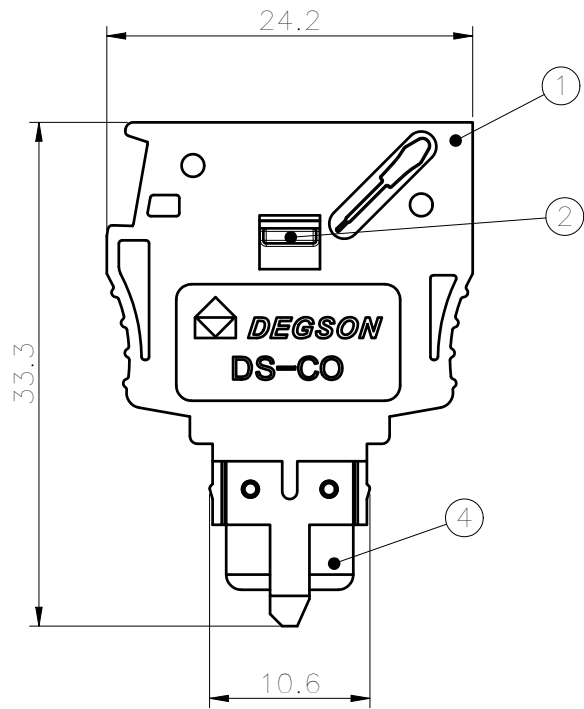
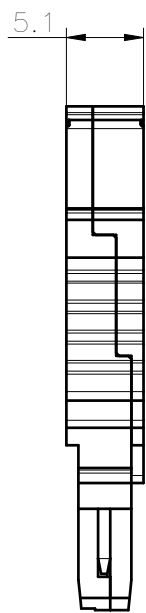


Transfer or duplication of this document as well as the utilization or communication of its contents are prohibited unless explicit authorization is granted. Degson will be liable for compensation. All rights reserved for patent, utility model or designs registrations. 非经许可，不得复制或传播。 未经授权，不得复制或传播。 非经许可，不得复制或传播。 非经许可，不得复制或传播。



未注公差/General tolerances(mm)													
0	>3	>6	>10	>18	>30	>50	>80	>120	>180	>250	>315	>400	0.1/10 ±2'
~3	~6	~10	~18	~30	~50	~80	~120	~180	~250	~315	~400	~500	
±0.12	±0.18	±0.22	±0.26	±0.31	±0.37	±0.57	±0.80	±0.93	±1.05	±1.15	±1.60	±2.20	±2.50

额定电流/ Current(A)	6A
线径范围/硬线/Wire Range (AWG/mm²)	SoI: 24~18/0.2~0.75
剥线长度/Stripping length(mm)	14~16
使用温度范围/Operating temperature(°C)	-40~+105
符合 RoHS 环保要求/Conform to RoHS	Yes

ITEM	NAME OF PART	MATERIAL	NOTES
4	Current_carrier	Copper	Sn plated
3	Spring	Stainless steel	/
2	Button	PA66+GF%	UL94V-0
1	Housing	PA66	UL94V-0

		MATERIAL: /	SURFACE: /	
		MAT. NO./REV: /		MAT STATUS: /
APPD: Li GL	2022.04.21	NAME		
CHKD: Ma EK	2022.04.21	DS-CO-01P-1Y-00A(H)		
DRFT: Wang LX	2022.04.21			
DRAWING NO.	TYPE	DRAWING STATUS	SCALE	SHEET
/	CUSTOMER DRAWING	/	2:1	1/1

REV	ECN	DESCRIPTION	DRFT	DATE
00	/	/	Wang LX	2022.04.21

