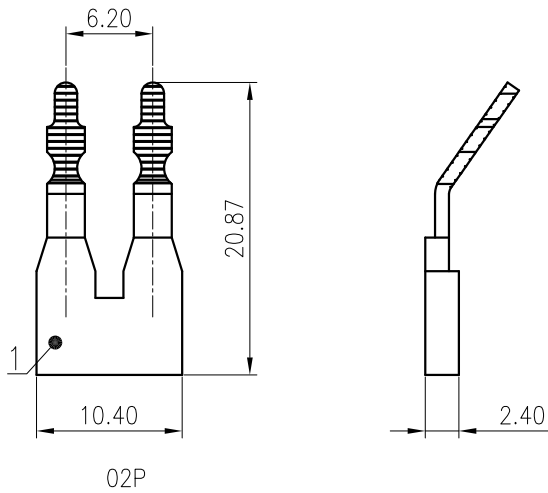


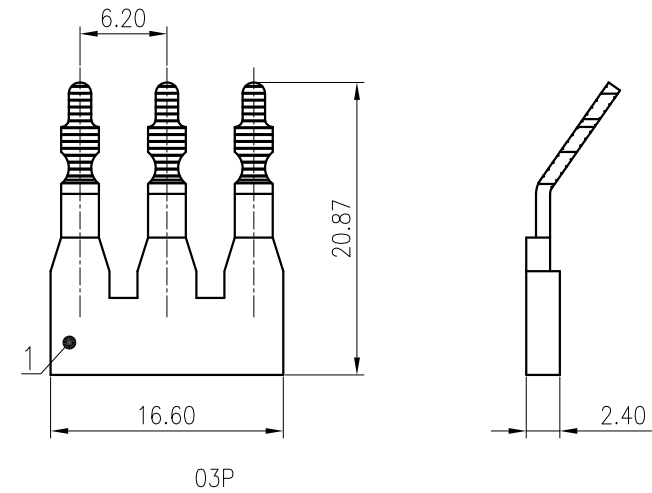
未注公差/General tolerances(mm)											0.1/10		
0	>3	>6	>10	>18	>30	>50	>80	>120	>180	>250		>315	>400
~3	~6	~10	~18	~30	~50	~80	~120	~180	~250	~315	~400	~500	>500
±0.12	±0.18	±0.22	±0.26	±0.31	±0.37	±0.57	±0.80	±0.93	±1.05	±1.15	±1.60	±2.20	±2.50

A



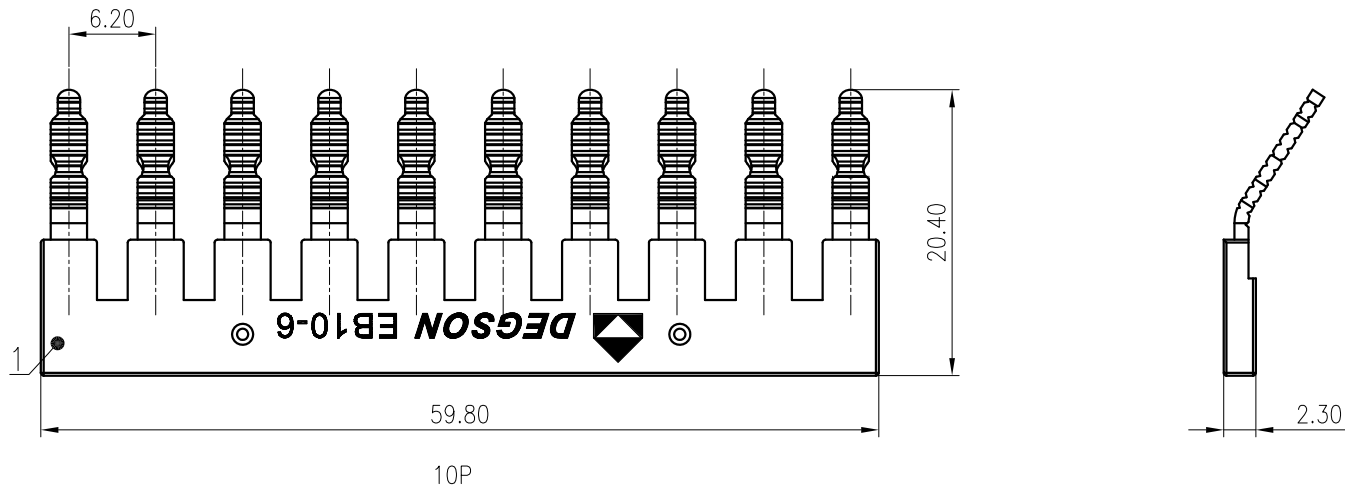
02P

B



03P

C



10P

D

1	Bridge		
ITEM	NAME OF PART	MATERIAL	NOTES
	间距/Pitch(mm)/线数范围/Poles	6.2/N=02P,03P,10P	
	使用温度范围/Operating temperature(°C)	-40~+105	
	符合RoHS环保要求/Conform to RoHS	Yes	

REV	ECN	DESCRIPTION	DRFT	DATE
-----	-----	-------------	------	------

MATERIAL: /	SURFACE: /		
MAT NO.: /	宁波高松电子有限公司 NINGBO DEGSON ELECTRICAL CO., LTD		
STATUS: /	NAME: EBXX-6-1Y-00A(H)		
APPD: Li GL 2020.06.10	DRAWING NO.: EBXX-6-C01		REV TO
CHKD: Mao J 2020.06.10			
DRFT: Chen K 2020.06.03	TYPE: CUSTOMER DRAWING		SCALE: 2:1 SHEET 1/1
SIZE: A4			