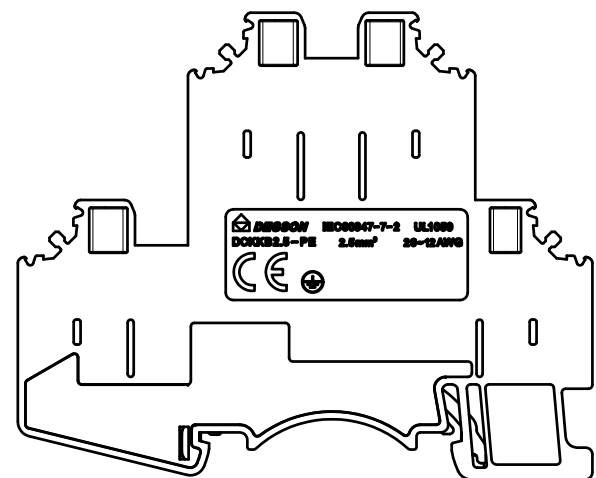
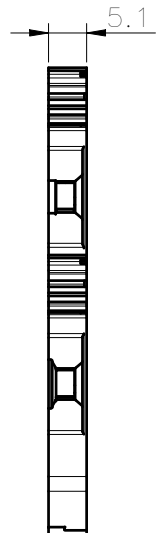
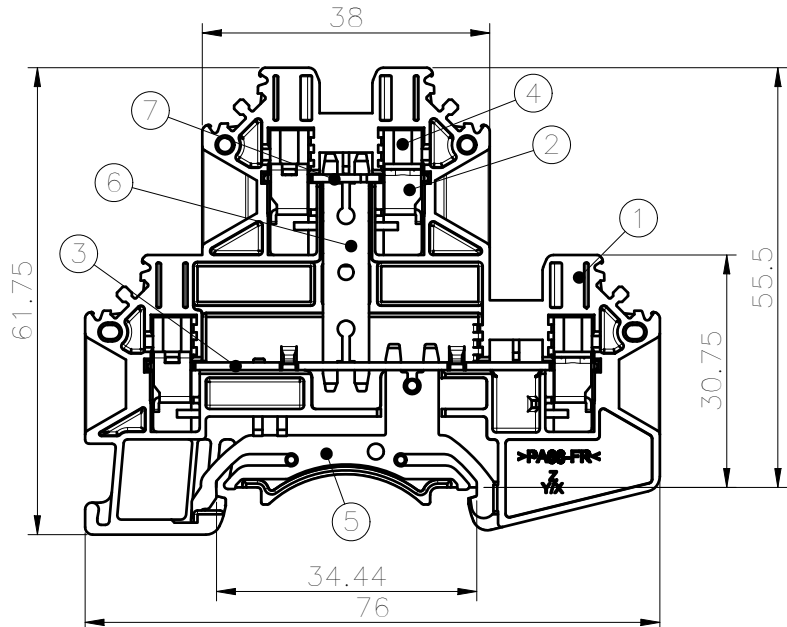


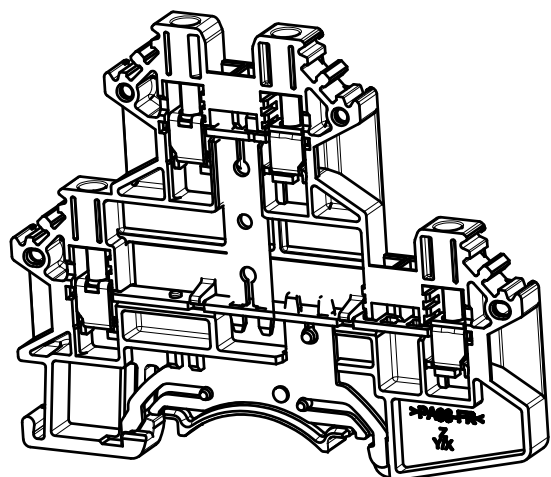


未注公差/General tolerances(mm)														
0	>3	>6	>10	>18	>30	>50	>80	>120	>180	>250	>315	>400	>500	0.1/10 ±2'
~3	~6	~10	~18	~30	~50	~80	~120	~180	~250	~315	~400	~500		
±0.12	±0.18	±0.22	±0.26	±0.31	±0.37	±0.57	±0.80	±0.93	±1.05	±1.15	±1.60	±2.20	±2.50	



ITEM	NAME OF PART	MATERIAL	NOTES
7	Current_carrier	Copper	Sn Plated
6	Top_bottom_Bridge_piece	Copper	Sn Plated
5	Grounding	Copper alloy	Sn Plated
4	Screw	Steel	M2.5/Zn plated
3	Long_current_carrier	Copper	Sn Plated
2	Cage	Steel	M2.5/Zn plated
1	Housing	PA66	UL94V-0

ITEM	NAME OF PART	MATERIAL	NOTES	
UL 标准/UL Standard:				
额定电压/电流/Rated Voltage(V)/Current(A)		B	C	D
IEC 标准/IEC Standard:				
过压类别/Overvoltage Category/污染等级/Pollution Degree		III/3	III/2	II/2
额定电压/电流/Rated Voltage(V)/Current(A)		/	/	/
额定脉冲电压(KV)/Rate Impulse Voltage(KV)		/	/	/
螺丝扭矩/Torque Tightening(N·m/Lb.in)		M2.5: 0.4/3.6		
线径范围(硬线和软线)/Wire Range(rigid and flexible)(AWG/mm <sup>2</sup> )		26~12 / 0.5~2.5&4 SOL		
间距/Pitch(mm)/线数范围/Poles		5.1/N=01P		
剥线长度/Stripping length(mm)		8~10		
使用温度范围/Operating temperature(°C)		-40~+105		
符合 RoHS 环保要求/Conform to RoHS		Yes		
标准颜色编号/Standard color number: PANTONE / RAL		/		



<b>DEGSON</b>		MATERIAL: /	SURFACE: /	
APPD: PengM	2022.08.17	MAT NO./REV: /	MAT STATUS: /	
CHKD: GaoWG	2022.08.17	NAME		
DRFT: XieXD	2022.08.17	DCKKB2.5-PE-01P-1C-02A(H)		
00	/	DRAWING NO.	TYPE	DRAWING STATUS
REV	ECN	/	CUSTOMER DRAWING	/
DESCRIPTION		SCALE	SHEET	
		2:1	1/1	

REV	ECN	DESCRIPTION	DRFT	DATE
00	/	/	XieXD	2022.08.17

Transfer or duplication of this document as well as the utilization or communication of its contents are prohibited unless express authorization is granted. All rights reserved for patent, utility model or designs registrations. 非经本厂明确授权, 否则禁止转让、复制、利用、交加本文件的内容, 一经发现侵权必究, 侵权者将承担法律责任。本公司保留对涉及发明、实用新型和外观设计的所有权利。