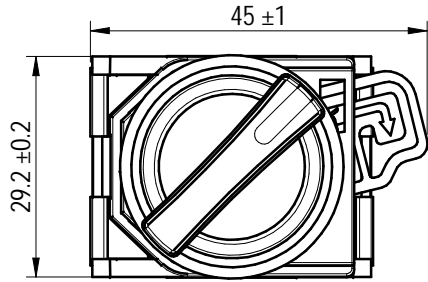


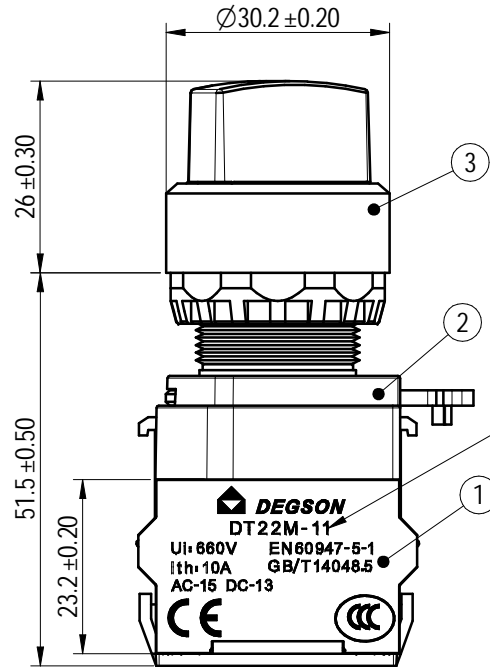
| 未注公差/General tolerances(mm) |              |               |                |                |                |                |                 |                  |                  |                  |                  |                  | 0.1/10<br>±2' |      |
|-----------------------------|--------------|---------------|----------------|----------------|----------------|----------------|-----------------|------------------|------------------|------------------|------------------|------------------|---------------|------|
| 0<br>~<br>3                 | >3<br>~<br>6 | >6<br>~<br>10 | >10<br>~<br>18 | >18<br>~<br>30 | >30<br>~<br>50 | >50<br>~<br>80 | >80<br>~<br>120 | >120<br>~<br>180 | >180<br>~<br>250 | >250<br>~<br>315 | >315<br>~<br>400 | >400<br>~<br>500 |               | >500 |
| ±0.12                       | ±0.18        | ±0.22         | ±0.26          | ±0.31          | ±0.37          | ±0.57          | ±0.80           | ±0.93            | ±1.05            | ±1.15            | ±1.60            | ±2.20            | ±2.50         |      |



(Series No.) DT22M - SXX X / Y (Color):BL: (Black)

(Contact form): 10: 1N0  
01: 1NC  
11: 1N01NC

(Type of actuator): S2R: selector 2 switch reset  
S2L: selector 2 switch lock  
S3R: selector 3 switch reset  
S3L: selector 3 switch lock



Print content with the name of the product

| ITEM | NAME OF PART   | MATERIAL | NOTES |
|------|----------------|----------|-------|
| 3    | Button head    | /        | /     |
| 2    | Holding screw  | /        | /     |
| 1    | Contact module | /        | /     |

|   |                                      |
|---|--------------------------------------|
| 使用温度范围/Operating temperature(°C)            | -25~+55(无冰冻)                         |
| 使用湿度范围/Operating humidity(%RH)              | 45~85                                |
| 接触电阻/Contact resistance(mΩ)                 | ≤50                                  |
| 绝缘电阻/Insulation resistance(mΩ)              | ≥100                                 |
| 工频耐压/Power frequency withstand voltage      | 1890VAC/50Hz/60s                     |
| 耐振动性/Vibration resistance                   | 振幅约1.0mm/50Hz                        |
| 耐冲击性/Shock resistance                       | >10g                                 |
| 机械寿命/Mechanical life                        | ≥50万次                                |
| 电气寿命/Electrical life                        | ≥20万次                                |
| 接线/Connection                               | 螺钉连接, 线直径2x1.5mm<br>最大界限插片 6.3x0.8mm |
| 符合RoHS环保要求/Conform to RoHS                  | Yes                                  |
| 标准颜色编号/Standard color number: PANTONE / RAL | /                                    |

| DEGSON    |            | MATERIAL:             | SURFACE/COLOR:        |
|-----------|------------|-----------------------|-----------------------|
| APPD: 李根芳 | 2022.10.12 | MAT NO./REV: / 00     | MAT STATUS: 小批量       |
| CHKD: 马恩开 | 2022.10.12 | NAME DT22M-SXXX/Y     |                       |
| DRFT: 马恩开 | 2022.10.12 | DRAWING NO. 200118388 | TYPE CUSTOMER DRAWING |
| REV       | ECN        | DESCRIPTION           | DRAWING STATUS work   |
| 00        |            | New Drawing           | SCALE 1:1             |
|           |            | 马恩开                   | SHEET 1/1             |
|           |            | 2022.10.12            |                       |

| REV | ECN | DESCRIPTION | DRFT | DATE       |
|-----|-----|-------------|------|------------|
| 00  |     | New Drawing | 马恩开  | 2022.10.12 |

Transfer or duplication of this document as well as the utilization or communication of its contents are prohibited unless authorized in general. All rights reserved for patent. 除专利号明确标注外, 未经许可, 不得复制或传播。 除专利号明确标注外, 未经许可, 不得复制或传播。 除专利号明确标注外, 未经许可, 不得复制或传播。