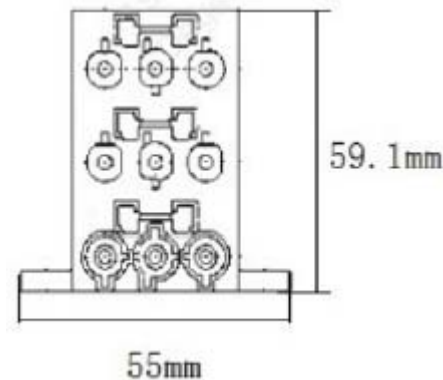
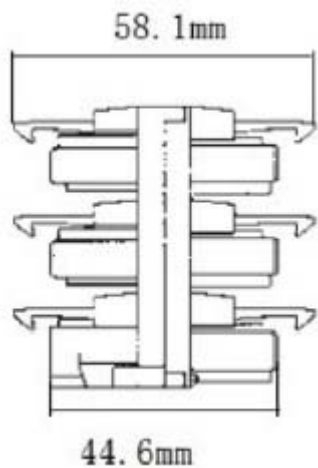


未注公差/General tolerances (mm)													0.1/10 ±2'	
0 ~ 3	>3 ~ 6	>6 ~ 10	>10 ~ 18	>18 ~ 30	>30 ~ 50	>50 ~ 80	>80 ~ 120	>120 ~ 180	>180 ~ 250	>250 ~ 315	>315 ~ 400	>400 ~ 500		>500
±0.12	±0.18	±0.22	±0.26	±0.31	±0.37	±0.57	±0.80	±0.93	±1.05	±1.15	±1.60	±2.20	±2.50	



UL 标准/UL Standard:	B	C	D
额定电压/电流/Rated Voltage(V)/Current(A)	600/16	/	/
IEC 标准/IEC Standard:			
过压类别/Overtoltage Category/污染等级/Pollution Degree	III/3	III/2	II/2
额定电压/电流/Rated Voltage(V)/Current(A)	250/16	/	/
额定脉冲电压(KV)/Rate Impulse Voltage(KV)	4	/	/
线径范围(硬线和软线)/Wire Range(rigid and flexible)(AWG/mm²)	18~14 / 0.75~2.5		
线数范围/Poles	03P		
剥线长度/Stripping length(mm)	7		
使用温度范围/Operating temperature(°C)	-40~+105		
符合RoHS环保要求/Conform to RoHS	Yes		

		MATERIAL:	SURFACE/COLOR:		
MAT NO./REV:		/ 00	MAT STATUS: 批量		
APPD: 蓝贵凡	2024.05.20	NAME			
CHKD: 曹利彬	2024.05.20	DGBSC-DB01H3-03P-13-00Z (H)			
DRFT: 孙科豪	2024.05.20	DRAWING NO.	TYPE	DRAWING STATUS	SHEET
A4 (inch)		200123680	CUSTOMER DRAWING	已发布	1/1

00					
REV	ECN	DESCRIPTION	DRFT	DATE	

Transfer or duplication of this document as well as the utilization or communication of its contents are prohibited unless authorized in writing by the copyright owner. All rights reserved for patent, utility model or design registrations. 除专利权、商标权、外观设计权等权利外，本公司保留对涉及发明、实用新型和外观设计的所有权利。