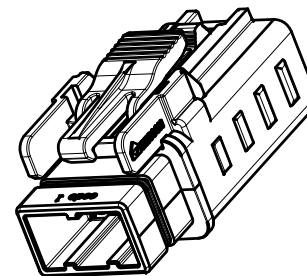
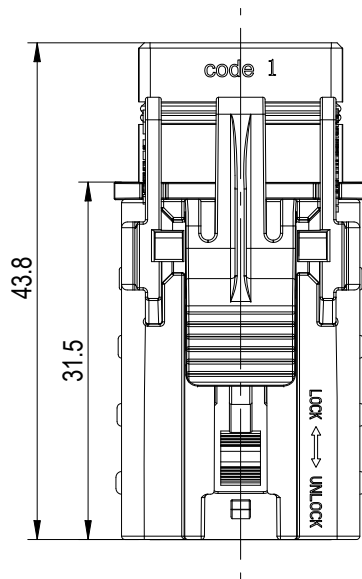
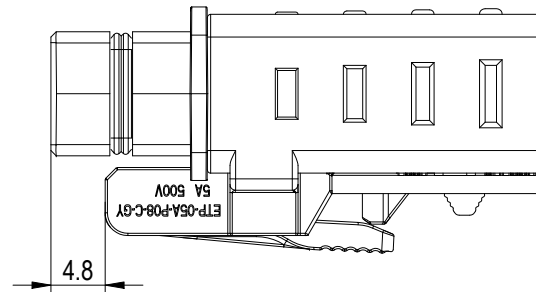
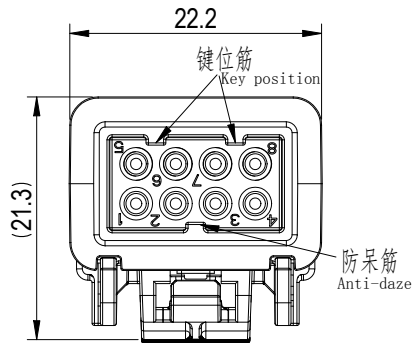


Transfer or duplication of this document as well as the utilization or communication of its contents are prohibited unless authorized in writing by Degson. All rights reserved for patent. 除专利等明确标注外，其他内容均受法律保护。未经授权，禁止复制或传播。 本公司保留对产品及材料、工艺等知识产权的所有权利。



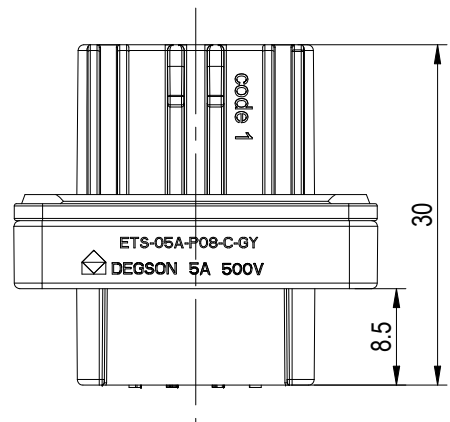
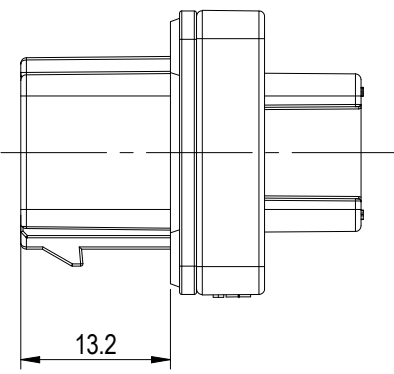
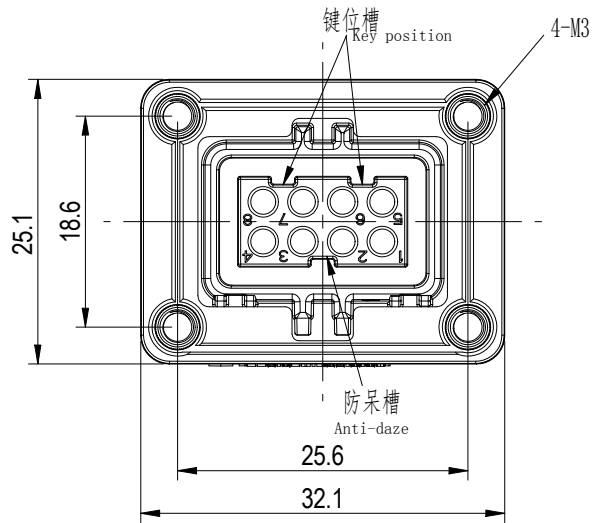
Dimensional tolerances(mm)					Length tolerances(mm)				0.1/10 ±2°
0 ~ 30	>30 ~ 60	>60 ~ 100	>100 ~ 150	>150	0 ~ 5000	>5000 ~ 10000	>10000 ~ 30000	>30000	
±0.25	±0.35	±0.55	±0.80	±1.10	±55	±105	±205	±505	
额定电压/Rated Voltage								DC300V/5A	
额定绝缘电压/Rated insulation Voltage								500V	
额定脉冲电压/Rated impulse Voltage(V)								2.5KV	
绝缘电阻/Insulation Resistance								≥200MΩ	
插拔次数/Mechanical working life(mating cycles)								≥100	
使用温度范围/Operating temperature(°C)								-40~+105	
防水等级/Levels of protection								IP67(Mated)	
接线方式/Terminal								Crimp	
线径范围/Wire range(AWG/mm²)								22-18(0.3-0.8)	
线缆直径/Cable diameter(mm)								1.3-2.8	
符合RoHS环保要求/Conform to RoHS								Yes	

Optional:
Pin insertion: 5A-TM (following pages)
Stopper: ETP-DT (following pages)

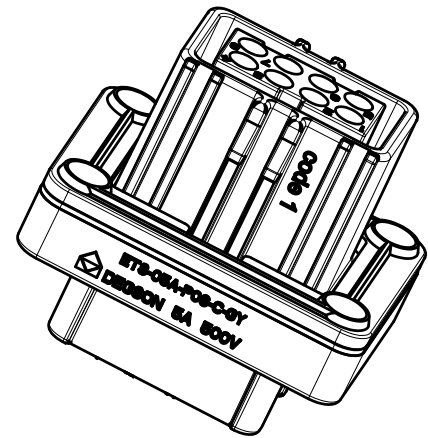
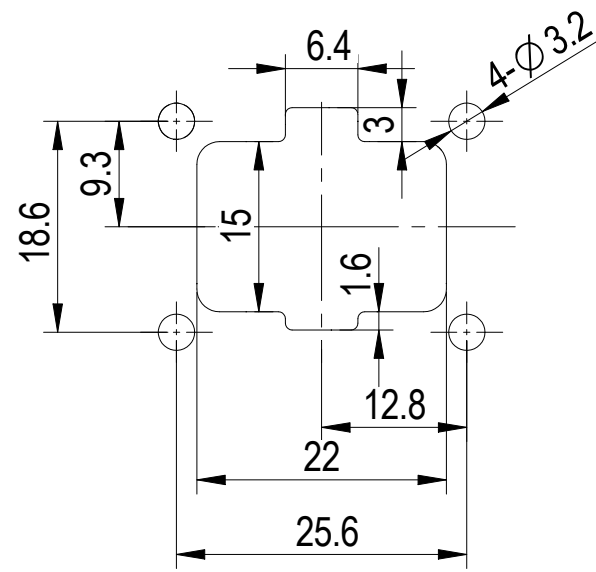
		MATERIAL: 材质	SURFACE/COLOR: 表面处理			
		MAT NO./REV: 28040000235 / 版本	MAT STATUS: 物料状态			
APPD: Liu J	2024-04-28	NAME				
CHKD: Zhai P	2024-04-28	ETP-05A-P08-C-GY-01				
DRFT: Yu KW	2024-04-28					
(inch)		DRAWING NO.	TYPE	DRAWING STATUS	SCALE	SHEET
		图号	图纸类型	图纸状态	1.5:1	1/1

图纸版本	ECN	变更描述	设计人	设计日期
REV	ECN	DESCRIPTION	DRFT	DATE

Transfer or duplication of this document as well as the utilization or communication of its contents are prohibited unless authorization is granted. All rights reserved for patent, utility model or designer registrations. 除专利等权利明确标注外，其他文件均受法律保护。未经许可，不得复制或传播。保留所有权利及专利权。本公司保留随时修改及变更规格的权利，恕不另行通知。



Panel Mounted



Dimensional tolerances(mm)					Length tolerances(mm)				0.1/10 ±2°
0 ~ 30	>30 ~ 60	>60 ~ 100	>100 ~ 150	>150	0 ~ 5000	>5000 ~ 10000	>10000 ~ 30000	>30000	
±0.25	±0.35	±0.55	±0.80	±1.10	±55	±105	±205	±505	

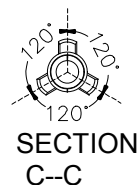
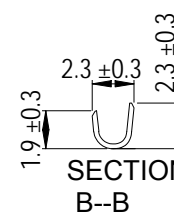
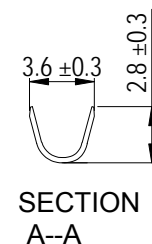
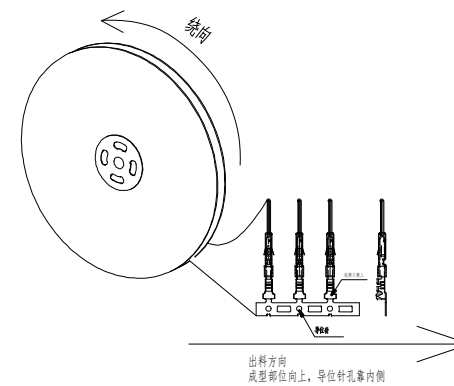
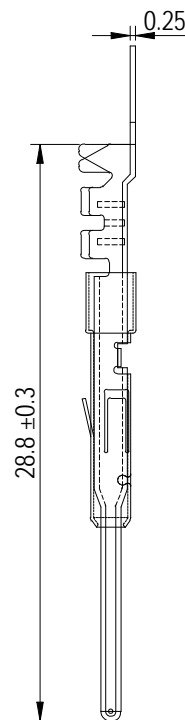
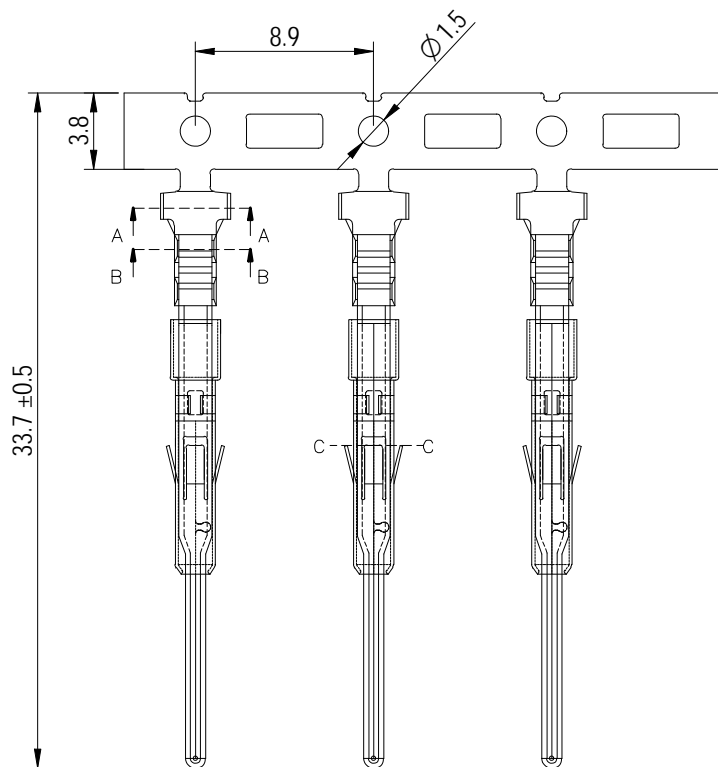
额定电压/Rated Voltage	DC300V/5A
额定绝缘电压/Rated insulation Voltage	500V
额定脉冲电压/Rated impulse Voltage(V)	2.5KV
绝缘电阻/Insulation Resistance	≥200MΩ
插拔次数/Mechanical working life(mating cycles)	≥100
使用温度范围/Operating temperature(°C)	-40~+105
防水等级/Levels of protection	IP67(Mated)
接线方式/Terminal	Crimp
线径范围/Wire range(AWG/mm²)	22-18/0.3-0.8
线缆直径/Cable diameter(mm)	1.3-2.8
符合RoHS环保要求/Conform to RoHS	Yes

Optional:
Pin insertion: 5A-1F (following pages)

		MATERIAL: 材质	SURFACE/COLOR: 表面处理
		MAT NO./REV: 28040000237 / 版本	MAT STATUS: 物料状态
APPD: Liu J	2024-04-28	NAME	
CHKD: Zhai P	2024-04-28	ETS-05A-P08-C-GY-01	
DRFT: Yu KW	2024-04-28	DRAWING NO.	DRAWING STATUS
 A4 (inch)		图号	图纸类型
		SCALE	SHEET
		1.5:1	1/1

图纸版本	ECN	变更描述	设计人	设计日期
REV	ECN	DESCRIPTION	DRFT	DATE

Dimensional tolerances(mm)				Length tolerances(mm)				0.1/10 ±2°
0	>30	>60	>100	0	>5000	>10000	>30000	
-	-	-	-	-	-	-	-	
±0.25	±0.35	±0.55	±0.80	±1.10	±55	±105	±205	±505



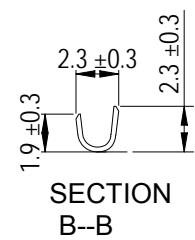
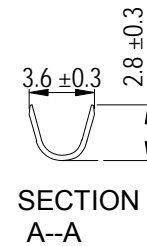
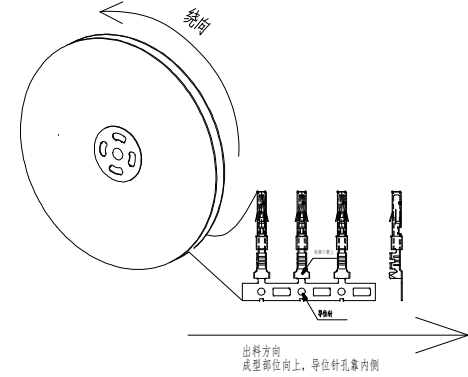
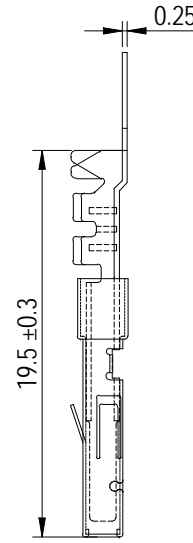
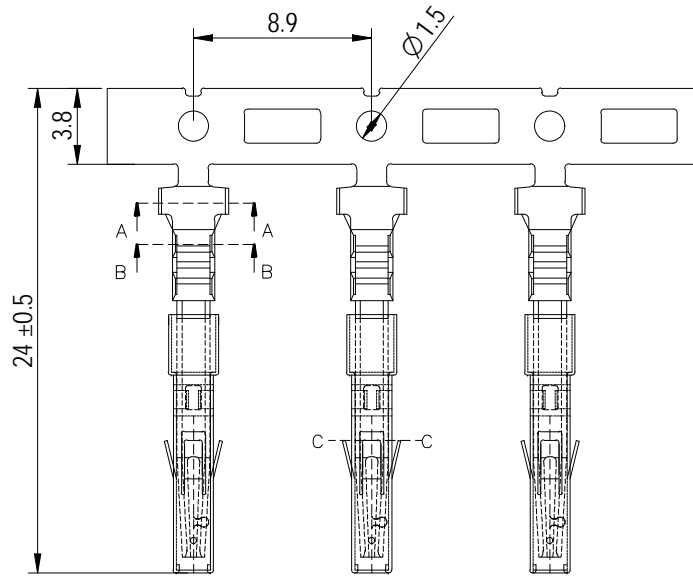
- Crimp contacts
- 01.Material :Copper alloy
 - 02.Surface :Tin-plated
 - 03.Contact resistance :≤5mΩ
 - 04.Terminal :Crimping
 - 05.Wire gauge :0.3~0.8mm(AWG 22~18)
 - 06.Rohs Compliance

		MATERIAL: C5191-H+SUS301	SURFACE/COLOR: 镀锡		
		MAT NO./REV: 2803000027 / 版本	MAT STATUS: 物料状态		
APPD: Liu J	2024-04-28	NAME			
CHKD: Zhai P	2024-04-28	5A-TM (STAMPING)			
DRFT: Yu KW	2024-04-28	DRAWING NO.	TYPE	DRAWING STATUS	SCALE
		图号	图纸类型	图纸状态	3:1
					SHEET 1/1

图纸版本	ECN	变更描述	设计人	设计日期
REV	ECN	DESCRIPTION	DRFT	DATE

Transfer or duplication of this document as well as the utilization or communication of its contents are prohibited unless authorized in writing by Degson. All rights reserved for patent. 除专利注明情况外, 其他部分均受著作权法保护。未经授权, 不得复制或传播。 0.1/10

Dimensional tolerances(mm)					Length tolerances(mm)				0.1/10 ±2°
0	>30	>60	>100	>150	0	>5000	>10000	>30000	
-	-	-	-	-	-	-	-	-	
±0.25	±0.35	±0.55	±0.80	±1.10	±55	±105	±205	±505	



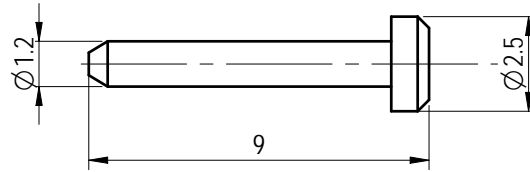
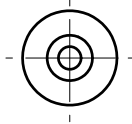
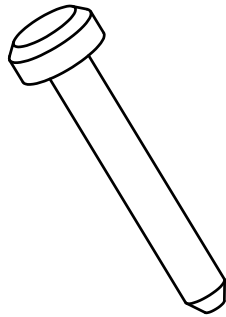
- Crimp contacts
- 01.Material :Copper alloy
- 02.Surface :Tin-plated
- 03.Contact resistance :≤5mΩ
- 04.Terminal :Crimping
- 05.Wire gauge :0.3~0.8mm(AWG 22~18)
- 06.Rohs Compliance

		MATERIAL: C5191-H+SUS301	SURFACE/COLOR: 镀雾锡		
APPD: Liu J	2024-04-28	NAME	5A-TF (STAMPING)		
CHKD: Zhai P	2024-04-28	DRAWING NO.		TYPE	DRAWING STATUS
DRFT: Yu KW	2024-04-28	图号		图纸类型	图纸状态
REV	ECN	变更描述	设计人	设计日期	SCALE
REV	ECN	DESCRIPTION	DRFT	DATE	SCALE 3:1
					SHEET 1/1

图纸版本	ECN	变更描述	设计人	设计日期
REV	ECN	DESCRIPTION	DRFT	DATE

Transfer or duplication of this document as well as the utilization or communication of its contents are prohibited unless authorized in writing by Degson. All rights reserved for patent. 除专利等明确标注外, 未经许可, 不得复制或传播。 凡在本文件内容中涉及之技术, 均受法律保护, 未经授权, 不得复制或传播。 凡在本文件内容中涉及之技术, 均受法律保护, 未经授权, 不得复制或传播。

Dimensional tolerances(mm)					Length tolerances(mm)				0.1/10 ±2°
0	>30	>60	>100	>150	0	>5000	>10000	>30000	
-	-	-	-	-	-	-	-	-	
±0.25	±0.35	±0.55	±0.80	±1.10	±55	±105	±205	±505	



Notes

- 01.Material : PC+20%GF
- 02.Color : Greyish-white
- 03.Rohs Compliance

		MATERIAL: /	SURFACE/COLOR: 镀雾锡			
APPD: Liu J 2024-04-28		MAT NO./REV: 28040000272 / 版本		MAT STATUS: 物料状态		
CHKD: Zhai P 2024-04-28		NAME: ETP-DT				
DRFT: Yu KW 2024-04-28		DRAWING NO.	TYPE	DRAWING STATUS	SCALE	SHEET
REV		图号	图纸类型	图纸状态	3:1	1/1

图纸版本	ECN	变更描述	设计人	设计日期
REV	ECN	DESCRIPTION	DRFT	DATE

Transfer or duplication of this document or communication of its contents are prohibited unless authorized in writing. All rights reserved for patent, utility model or design registrations. 除专利权明确标注外，其他权利均归本公司所有。未经许可，不得复制或传播。