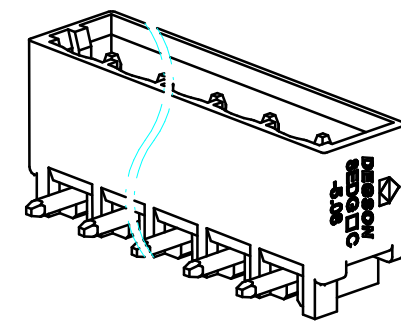
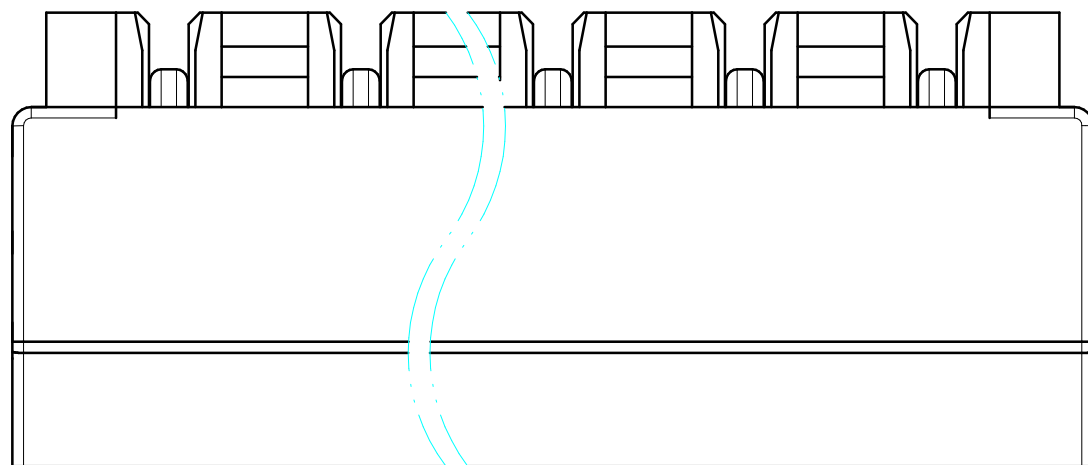
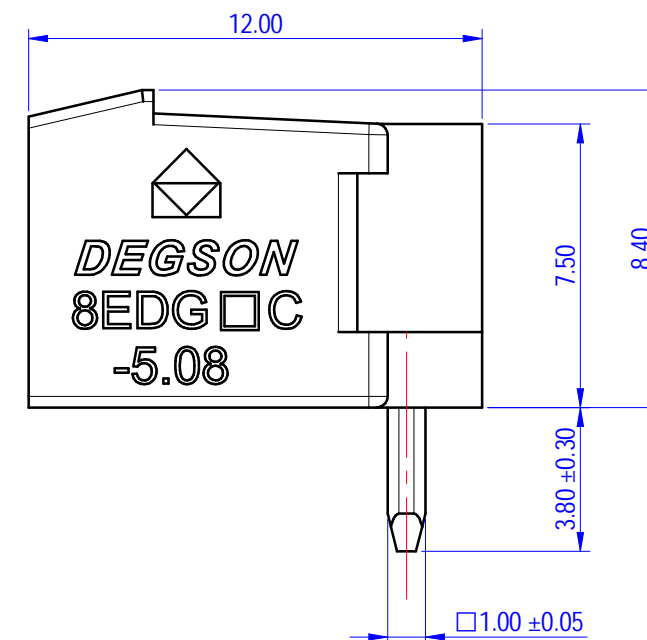
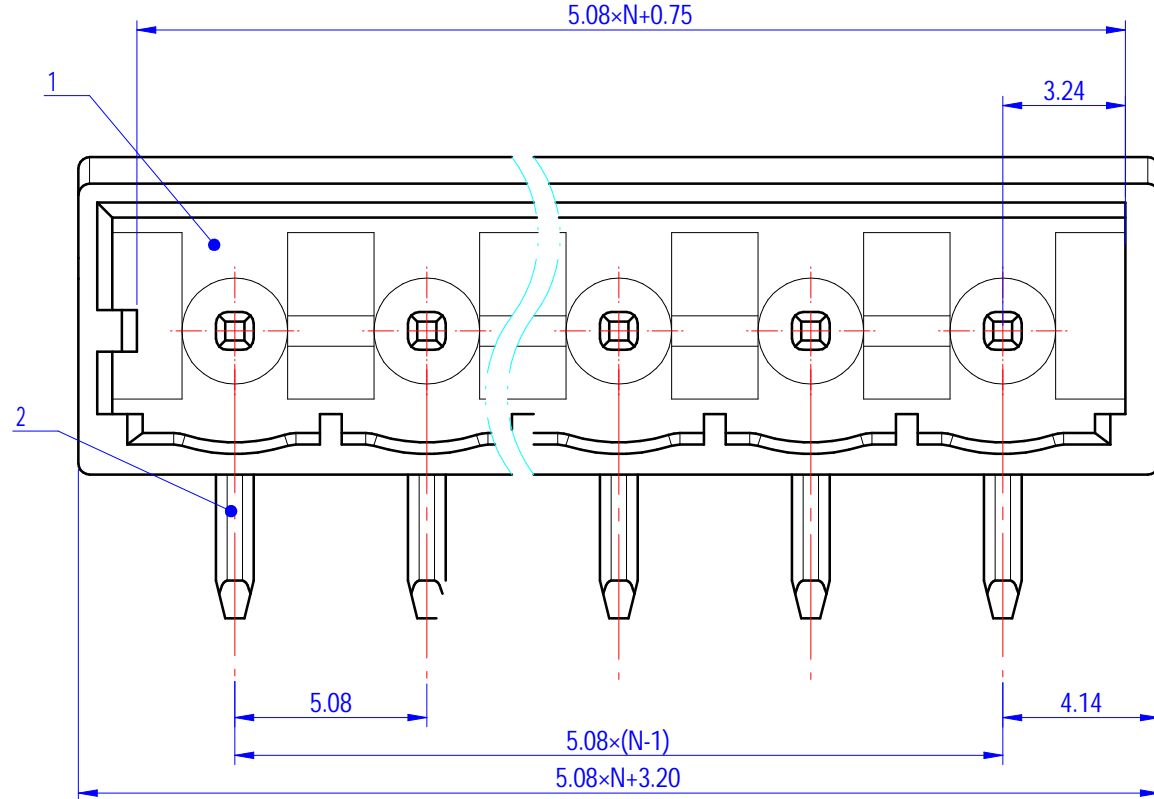
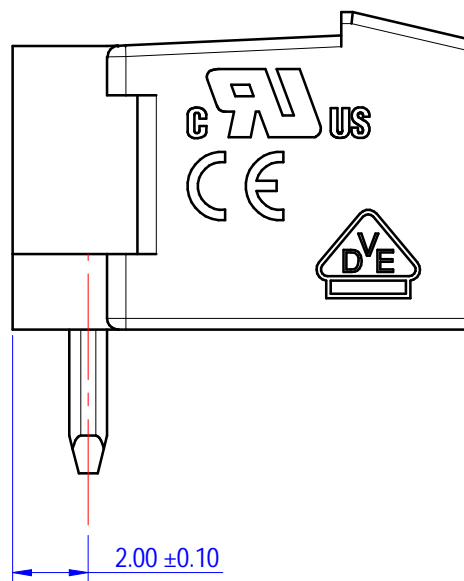


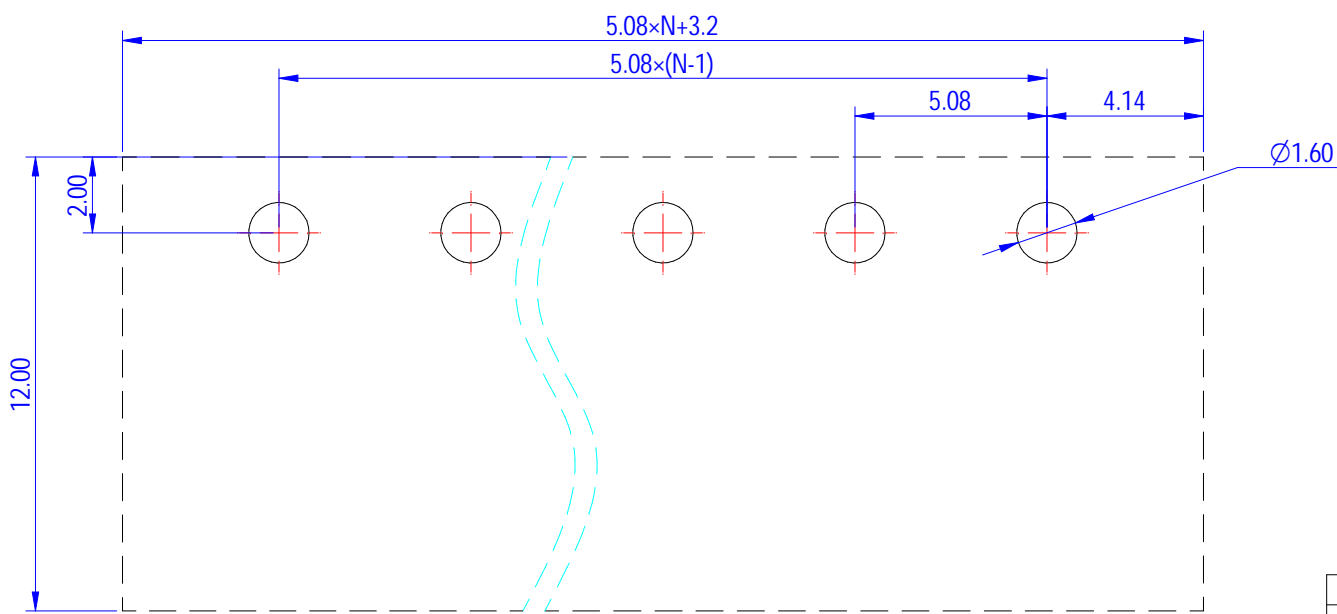
未注公差/General tolerances (mm)												0.1/10 ±2'		
0	>3	>6	>10	>18	>30	>50	>80	>120	>180	>250	>315		>400	>500
~	~	~	~	~	~	~	~	~	~	~	~	~	~	~
±0.12	±0.18	±0.22	±0.26	±0.31	±0.37	±0.57	±0.80	±0.93	±1.05	±1.15	±1.60	±2.20	±2.50	



please refer to the 3D model, for those unmarked dimensions.



PCB LAYOUT



Note: The A&Z(H) in the name means:A(H)and Z(H).

2	Pin header	Copper	Sn Plated
1	Housing	PA66	UL94V-0
ITEM	NAME OF PART	MATERIAL	NOTES

UL 标准/ UL Standard:		B	C	D
额定电压/ 电流/ Rated Voltage(V)/ Current(A)		300/ 15	/	300/ 10
IEC 标准/ IEC Standard:				
过压类别/ Overvoltage Category/ 污染等级/ Pollution Degree		III/ 3		
额定电压/ 电流/ Rated Voltage(V)/ Current(A)		320/ 20		
额定脉冲电压(KV)/ Rate Impulse Voltage(KV)		4		
间距/ Pitch(mm)/ 线数范围/ Poles		5.08/ N=02-24P		
使用温度范围/ Operating temperature(°C)		- 40~+105		
符合 RoHS 环保要求/ Conform to RoHS		Yes		
标准颜色编号/ Standard color number: PANTONE/ RAL		PANTONE 7534U		

DEGSON		MATERIAL:		SURFACE/COLOR:	
APPD: 蓝贵凡 2022.11.11		MAT NO./REV:		MAT STATUS: 批量	
CHKD: 曹利彬 2022.11.09		NAME			
DRFT: 委民洁 2022.11.09		8EDGRC-5.08-XXP-11-01A&Z(H)			
00	REV	ECN	DESCRIPTION	DRFT	DATE
00				委民洁	2022.11.09
DRAWING NO. 200119655		TYPE CUSTOMER DRAWING		DRAWING STATUS 已发布	
SCALE 5:1		SHEET 1/1			

Transfer or duplication of this document as well as the utilization or communication of its contents are prohibited unless explicit authorization is granted. Violations will be liable for compensation. All rights reserved for patent. 复制或再行传播此文件以及其内容的利用或沟通均被禁止，未经授权，擅自复制或再行传播此文件，侵权者将承担相关法律责任。本公司保留所有权利。