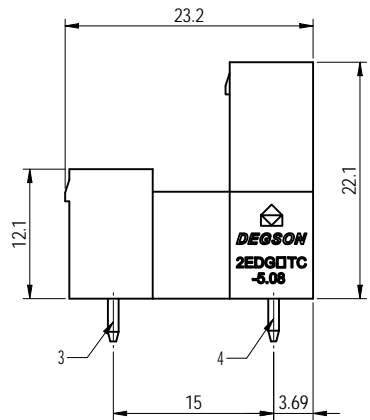
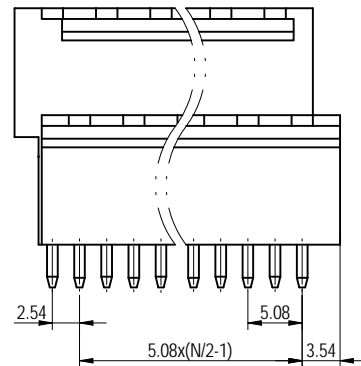
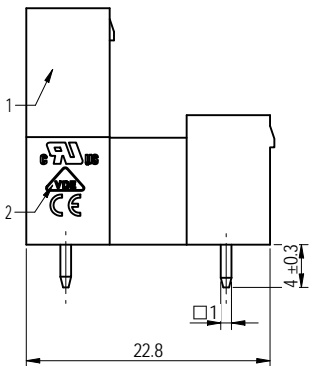
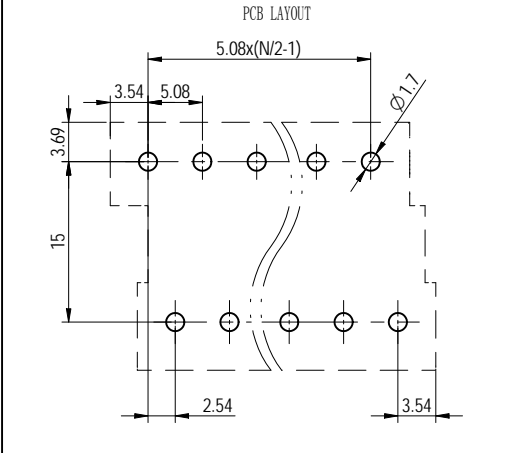
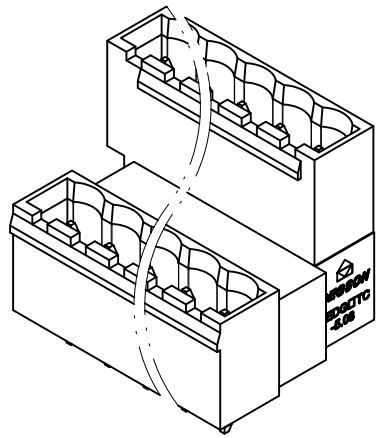
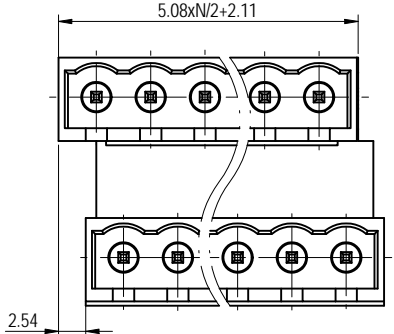


Transfer or duplication of this document as well as the utilization of its contents without the written permission of DEIGSON is prohibited. All rights reserved for patent.

未注公差/General tolerances(mm)											0.1/10		
0	>3	>6	>10	>18	>30	>50	>80	>120	>180	>250	>315	>400	>500
±0.12	±0.18	±0.22	±0.28	±0.31	±0.37	±0.57	±0.80	±0.93	±1.05	±1.15	±1.60	±2.20	±2.50
													±2°



Note:
The A&Z(H) in the name means:A(H) and Z(H).

ITEM	NAME OF PART	MATERIAL	NOTES
4	Long Pin	Copper	Sn Plated
3	Short Pin	Copper	Sn Plated
2	Cover	PA66	UL94V-0
1	Housing	PA66	UL94V-0

UL 标准/UL Standard:	B	C	D
额定电压/电流/Rated Voltage(V)/Current(A)	300/15	/	300/10
IEC 标准/IEC Standard:			
过压类别/Overvoltage Category/污染等级/Pollution Degree	III/3	II/2	II/2
额定电压/电流/Rated Voltage(V)/Current(A)	/	320/10	/
额定脉冲电压(KV)/Rate Impulse Voltage(KV)	/	4	/
间距/Pitch(mm)/线数范围/Poles	5.08/N=04~48P		
使用温度范围/Operating temperature(°C)	-40~+105		
符合RoHS环保要求/Conform to RoHS	Yes		

DEIGSON		MATERIAL:	SURFACE/COLOR:		
APPD: 兰春华	2022.08.05	MAT NO./REV: - /00	MAT STATUS: 批量		
CHKD: 黄耀志	2022.08.05	NAME: 2EDGVT-5.08-XXP-1Y-00A&Z(H)			
DRFT: 周锦德	2022.08.04	DRAWING NO. 200098309	TYPE: CUSTOMER DRAWING	DRAWING STATUS: 已发布	SCALE: 2:1
REV	ECN	DESCRIPTION	DRFT	DATE	SHEET 1/1

REV	ECN	DESCRIPTION	DRFT	DATE
00			周锦德	2022.08.04