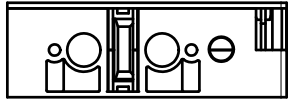
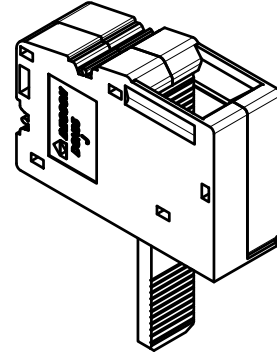
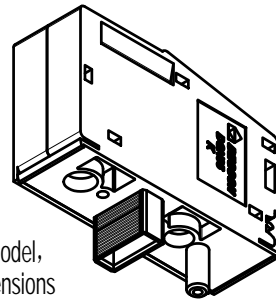
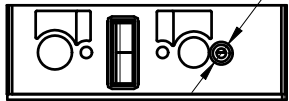
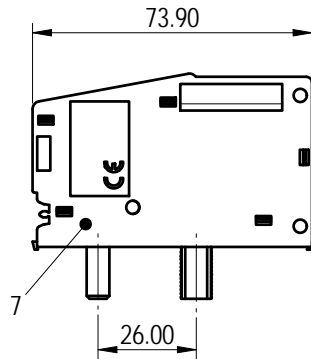
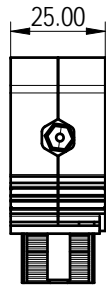
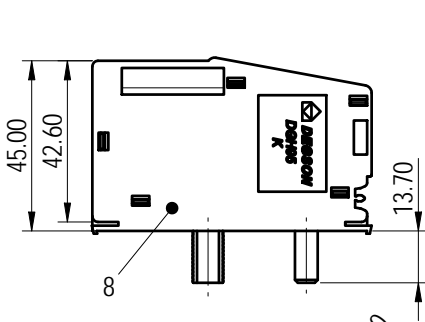


Please refer to the 3D model, for those unmarked dimensions



DGG95J-01P-1Y-00A&Z(H)

DGG95K-01P-1Y-00A&Z(H)



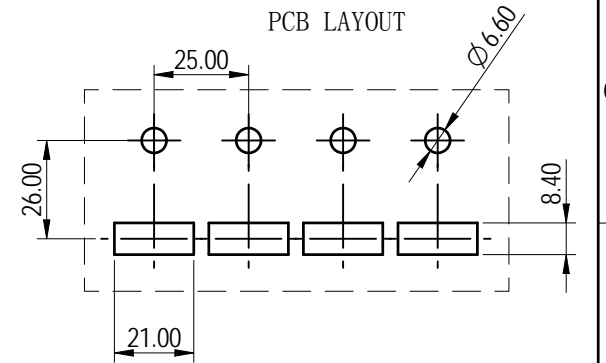
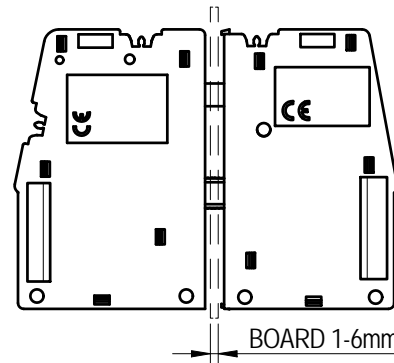
Please refer to the 3D model, for those unmarked dimensions

未注公差/General tolerances (mm)											0.1/10		
0	>3	>6	>10	>18	>30	>50	>80	>120	>180	>250			
±0.12	±0.18	±0.22	±0.26	±0.31	±0.37	±0.57	±0.80	±0.93	±1.05	±1.15	±1.60	±2.20	±2.50

UL 标准/UL Standard:	B	C	D
额定电压/电流/Rated Voltage(V)/Current(A)	600V/230	/	/
IEC 标准/IEC Standard:			
过压类别/Overvoltage Category/污染等级/Pollution Degree	III/3	III/2	II/2
额定电压/电流/Rated Voltage(V)/Current(A)	1000/232	/	/
额定脉冲电压(KV)/Rate Impulse Voltage(KV)	8	/	/
螺丝扭矩/Torque Tightening(N·m/Lb.in)	M8, 15/132.9 M10, 4.0/35.5		
线径范围(硬线和软线)/Wire Range(rigid and flexible)(AWG/mm ²)	4-4/0 / 25-95		
剥线长度/Stripping length(mm)	N=01P 27		
使用温度范围/Operating temperature(°C)	-40~+105		
符合RoHS环保要求/Conform to RoHS	Yes		
标准颜色编号/Standard color number: PANTONE / RAL	/		

ITEM	NAME OF PART	MATERIAL	NOTES
8	Housing4	PA66	UL94V-0
7	Housing3	PA66	UL94V-0
6	Current carrier	Copper	Sn Plated
5	Cage2	Steel	Zn Plated
4	Cage1	Copper alloy	Ni Plated
3	Screw	Steel	Zn Plated
2	Housing2	PA66	UL94V-0
1	Housing1	PA66	UL94V-0

Note: The A&Z(H) in the name means: A(H) and Z(H).



		MATERIAL:	SURFACE/COLOR:		
APPD: 蓝贵凡 2022.12.06		MAT NO./REV:	/ 00		
CHKD: 曹利彬 2022.12.06		NAME			
DRFT: 孙科豪 2022.12.06		DGH95-01P-1Y-00A&Z(H)			
DRAWING NO. 200099308		TYPE	DRAWING STATUS	SCALE	SHEET
A4		CUSTOMER DRAWING	已发布	2:1	1/1

REV	ECN	DESCRIPTION	DRFT	DATE
00				

Transfer or duplication of this document as well as the utilization or communication of its contents are prohibited unless authorized in writing by Degson. All rights reserved for patent. 任何未经授权复制或传播本文件内容均属于侵权行为。 未经书面许可，不得复制或传播本文件内容。 凡在本文件内容中涉及到的专利，其权利均归 Degson 公司所有。