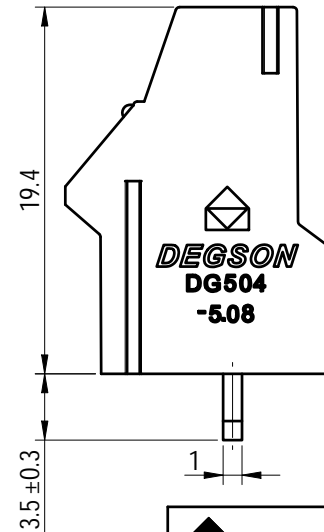
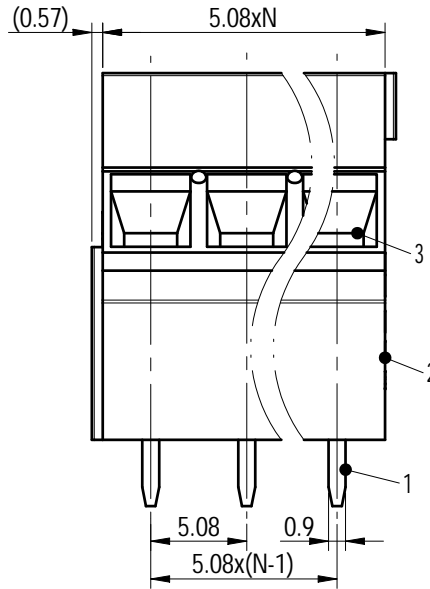
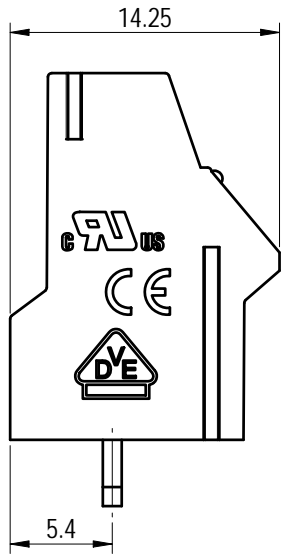
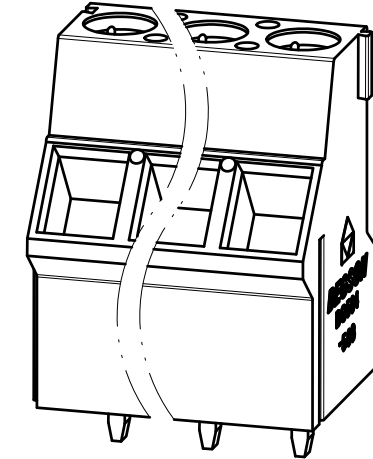
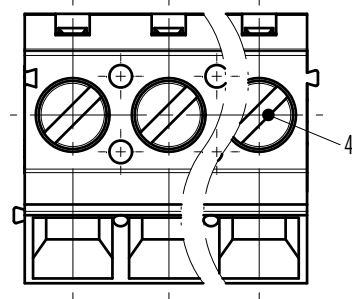


未注公差/General tolerances (mm)												0.1/10 ±2'		
0 ~ 3	>3 ~ 6	>6 ~ 10	>10 ~ 18	>18 ~ 30	>30 ~ 50	>50 ~ 80	>80 ~ 120	>120 ~ 180	>180 ~ 250	>250 ~ 315	>315 ~ 400		>400 ~ 500	>500
±0.12	±0.18	±0.22	±0.26	±0.31	±0.37	±0.57	±0.80	±0.93	±1.05	±1.15	±1.60	±2.20	±2.50	



ITEM	NAME OF PART	MATERIAL	NOTES
4	Screw	Steel	M3/Zn plated
3	Cage	Copper alloy	M3/Ni plated
2	Housing	PA66	UL94V-0
1	Pin header	Copper	Sn plated

UL 标准/UL Standard:		B	C	D
额定电压/电流/Rated Voltage(V)/Current(A)		300/20	/	300/10
IEC 标准/IEC Standard:				
过压类别/Overvoltage Category/污染等级/Pollution Degree		III/3	III/2	II/2
额定电压/电流/Rated Voltage(V)/Current(A)		250/20	400/20	630/20
额定脉冲电压(KV)/Rate Impulse Voltage(KV)		4	4	4
螺丝扭矩/Torque Tightening(N·m/Lb.in)		M3, 0.5/4.43		
线径范围(硬线和软线)/Wire Range(rigid and flexible)(AWG/mm²)		30~12 / 0.2~2.5		
间距/Pitch(mm)/线数范围/Poles		5.08/N=02~24P		
剥线长度/Stripping length(mm)		10~11		
使用温度范围/Operating temperature(°C)		-40~-+105		
符合RoHS环保要求/Conform to RoHS		Yes		

DEGSON		MATERIAL: -		SURFACE/COLOR:	
APPD: 兰春华 2022.09.09		MAT NO./REV: - / 00		MAT STATUS: 批量	
CHKD: 陈招 2022.09.08		NAME			
DRFT: 袁路易 2022.09.07		DG504-5.08-XXP-1Y-00Z (H)			
DRAWING NO. 200022105		TYPE CUSTOMER DRAWING		DRAWING STATUS 已发布	
SCALE 2.5:1		SHEET 1/1			

REV	ECN	DESCRIPTION	DRFT	DATE
00			袁路易	2022.09.07

Transfer or duplication of this document as well as the utilization or communication of its contents are prohibited unless approved in advance. Violations will be held for compensation. All rights reserved for patent, utility model or design registrations. 除专利权、实用新型、发明专利、外观设计、软件著作权等权利外，其他权利均归本公司所有。未经许可，不得复制或传播。如有侵权，本公司保留追究法律责任的权利。