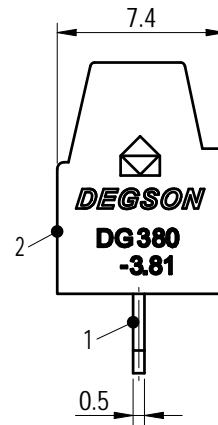
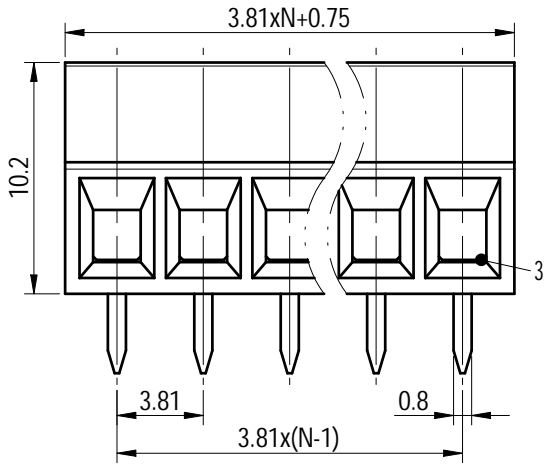
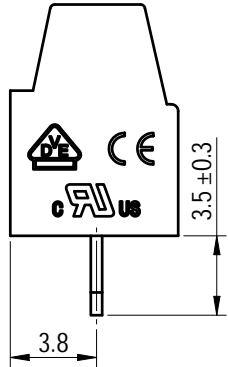
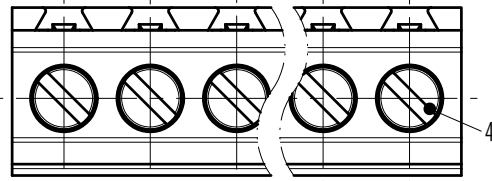
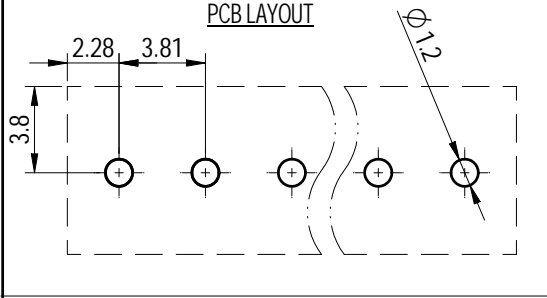
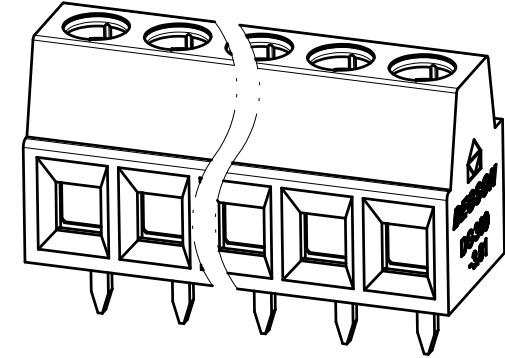


PCB LAYOUT



未注公差/General tolerances (mm)													0.1/10
0	>3	>6	>10	>18	>30	>50	>80	>120	>180	>250	>315	>400	
~3	~6	~10	~18	~30	~50	~80	~120	~180	~250	~315	~400	~500	>500
±0.12	±0.18	±0.22	±0.26	±0.31	±0.37	±0.57	±0.80	±0.93	±1.05	±1.15	±1.60	±2.20	±2.50



Note: The A&Z (H) in the name means: A(H) and Z(H).

ITEM	NAME OF PART	MATERIAL	NOTES
4	Screw	Steel	M2/Zn plated
3	Cage	Copper alloy	M2/Ni plated
2	Housing	PA66	UL94V-0
1	Pin header	Copper alloy	Sn plated

UL 标准/UL Standard:	B	C	D
额定电压/电流/Rated Voltage(V)/Current(A)	300/12	/	300/10
IEC 标准/IEC Standard:			
过压类别/Overvoltage Category/污染等级/Pollution Degree	III/3	III/2	II/2
额定电压/电流/Rated Voltage(V)/Current(A)	250/16	320/16	500/16
额定脉冲电压(KV)/Rate Impulse Voltage(KV)	2.5	2.5	2.5
螺丝扭矩/Torque Tightening(N·m/Lb.in)	M2, 0.2/2.0		
线径范围(硬线和软线)/Wire Range(rigid and flexible)(AWG/mm <sup>2</sup> )	20~14 / 0.2~1.5		
间距/Pitch(mm)/线数范围/Poles	3.81/N=02~24P		
剥线长度/Stripping length(mm)	5~6		
使用温度范围/Operating temperature(°C)	-40~+105		
符合RoHS环保要求/Conform to RoHS	Yes		

**DEGSON**

APPD: 兰春华 2022.09.29  
 CHKD: 陈招 2022.09.29  
 DRFT: 袁路易 2022.09.29

MATERIAL: -	SURFACE/COLOR:	
MAT NO./REV: - / 00	MAT STATUS: 批量	
NAME DG380-3.81-XXP-1Y-00A&Z(H)		
DRAWING NO. 200022160	TYPE CUSTOMER DRAWING	DRAWING STATUS 已发布
SCALE 3:1	SHEET 1/1	

REV	ECN	DESCRIPTION	DRFT	DATE
00			袁路易	2022.09.29

Transfer or duplication of this document as well as the utilization or communication of its contents are prohibited unless authorized in writing. All rights reserved for patent, utility model or design registrations. 除专利、实用新型、外观设计、商标、印刷、光碟等文件的所有权外，其他权利均归本公司所有。未经许可，不得复制或传播。