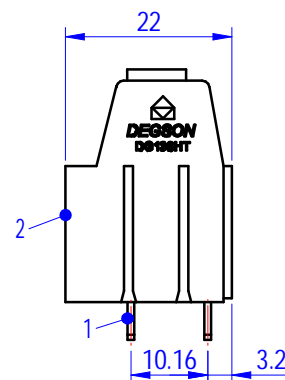
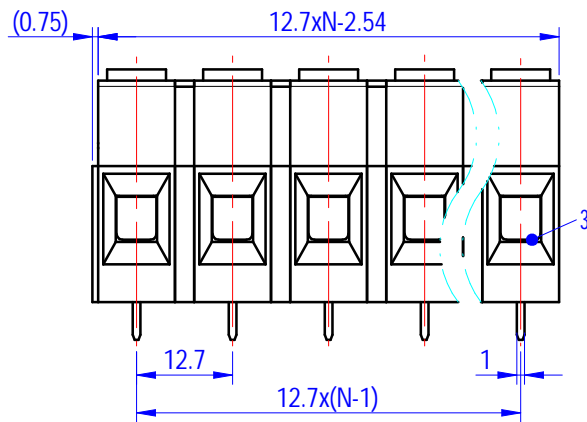
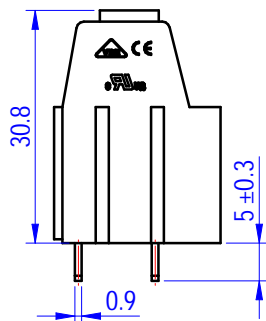
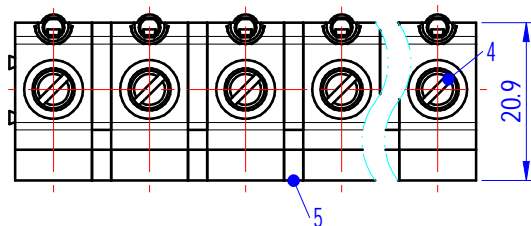
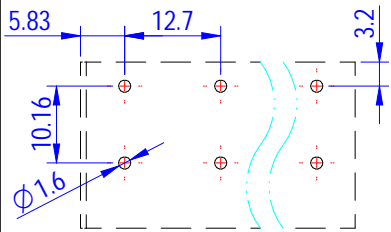
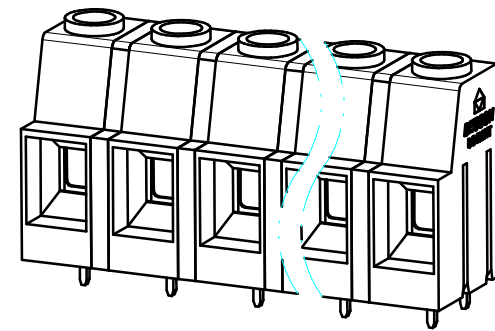


PCB LAYOUT



未注公差/General tolerances (mm)													0.1/10
0	>3	>6	>10	>18	>30	>50	>80	>120	>180	>250	>315	>400	
~3	~6	~10	~18	~30	~50	~80	~120	~180	~250	~315	~400	~500	±2'
±0.12	±0.18	±0.22	±0.26	±0.31	±0.37	±0.57	±0.80	±0.93	±1.05	±1.15	±1.60	±2.20	



Note: The A&Z (H) in the name means: A(H) and Z (H).

ITEM	NAME OF PART	MATERIAL	NOTES
5	Clapboard	PA66	UL94V-0
4	Screw	Copper alloy	M4/Ni Plated
3	Cage	Copper alloy	M4/Ni Plated
2	Housing	PA66	UL94V-0
1	Pin header	Copper	Sn Plated

UL 标准/UL Standard:	B	C	D
额定电压/电压/Rated Voltage(V)/Current(A)	600/60	600/60	/
IEC 标准/IEC Standard:			
过压类别/Ovoltage Category/污染等级/Pollution Degree	/	III/2	/
额定电压/电压/Rated Voltage(V)/Current(A)	/	1000/65	/
工频电压/Withstand voltage(V 1Min)		AC3500	
螺丝扭矩/Torque Tightening(N·m/Lb.in)		M4, 1.2/10.53	
线径范围(硬线和软线)/Wire Range(rigid and flexible)(AWG mm ²)		20~ 6/ 2.5~ 16	
间距/Pitch(mm)/线数范围/Poles		12.7/N= 02~ 12P	
剥线长度/Stripping length(mm)		10~ 11	
使用温度范围/Operating temperature(°C)		-40~ + 105	
符合 RoHS 环保要求/Conform to RoHS		Yes	

DEGSON

MATERIAL: SURFACE/COLOR:
MAT NO./REV: / 00 MAT STATUS: work

APPD: 兰春华 2022.11.24
CHKD: 陈招 2022.11.24
DRFT: 袁路易 2022.11.24

NAME				
DG136HT-12.70-XXP-1Y-00A&Z(H)				
DRAWING NO.	TYPE	DRAWING STATUS	SCALE	SHEET
200022141	CUSTOMER DRAWING	已发布	1:1	1/1

REV	ECN	DESCRIPTION	DRFT	DATE
01		改正IEC额定电流	袁路易	2022.11.24

Transfer or duplication of this document as well as the utilization or communication of its contents are prohibited unless authorized in general. Violations will be treated for compensation. All rights reserved for patent. 除专利号明确标注外, 其他标注均属于公司机密, 未经授权, 严禁复制或传播。如有违反, 公司将依法追究法律责任。 除专利号明确标注外, 其他标注均属于公司机密, 未经授权, 严禁复制或传播。如有违反, 公司将依法追究法律责任。