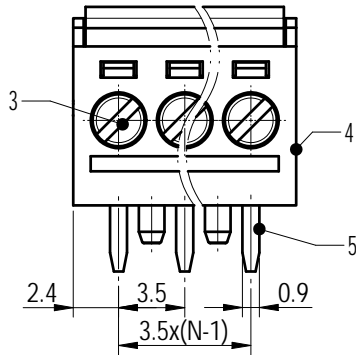
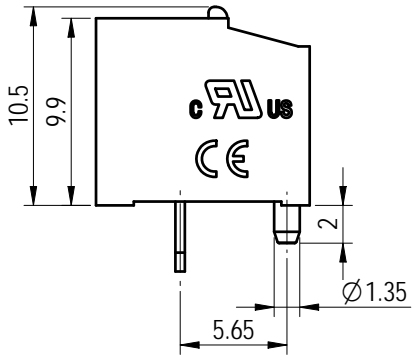
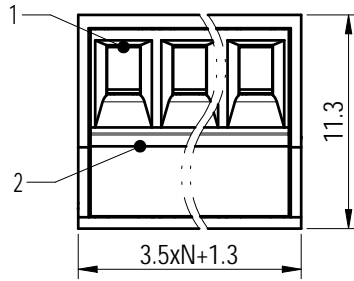
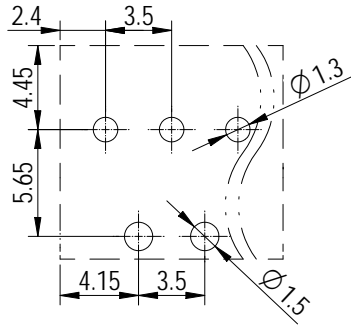
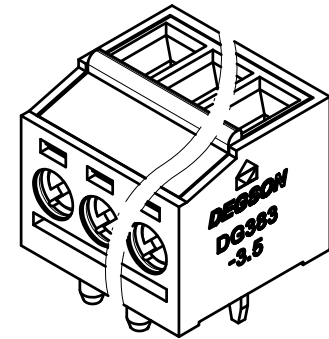
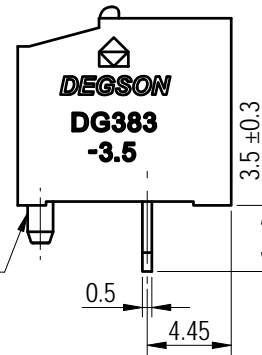


PCB LAYOUT



No cylindrical at the bottom of the plastic parts if poles more than three



未注公差/General tolerances (mm)

0	>3	>6	>10	>18	>30	>50	>80	>120	>180	>250	>315	>400	>500	0.1/10
~3	~6	~10	~18	~30	~50	~80	~120	~180	~250	~315	~400	~500	>500	±2'
±0.12	±0.18	±0.22	±0.26	±0.31	±0.37	±0.57	±0.80	±0.93	±1.05	±1.15	±1.60	±2.20	±2.50	

UL 标准/UL Standard:

额定电压/电流/Rated Voltage(V)/Current(A)	B	C	D
	300/15	/	/

IEC 标准/IEC Standard:

过压类别/Overvoltage Category/污染等级/Pollution Degree	III/3	III/2	II/2
额定电压/电流/Rated Voltage(V)/Current(A)	160/12	160/12	320/12
额定脉冲电压(KV)/Rate Impulse Voltage(KV)	2.5	2.5	2.5

螺丝扭矩/Torque Tightening(N·m/Lb.in)	M2,0.2/2.0		
线径范围(硬线和软线)/Wire Range(rigid and flexible)(AWG/mm²)	30~14/ 0.2~1.5		
间距/Pitch(mm)/线数范围/Poles	3.5/N=02~12P		
剥线长度/Stripping length(mm)	6~7		
使用温度范围/Operating temperature(°C)	-40~+105		
符合RoHS环保要求/Conform to RoHS	Yes		

5	Pin header	Copper alloy	Sn Plated
4	Housing	PA66	UL94V-0
3	Screw	Steel	M2/Zn Plated
2	Cover	PA66	UL94V-0
1	Cage	Copper alloy	M2/Ni Plated
ITEM	NAME OF PART	MATERIAL	NOTES

Note:

The A&Z(H) in the name means: A(H) and Z(H).



MATERIAL: /	SURFACE/COLOR: /
MAT NO./REV: - / 00	MAT STATUS: 批量

APPD: 兰春华	2023.03.03
CHKD: 陈招	2023.03.03
DRFT: 柳学龙	2023.03.03

NAME	DG383-3.5-XXP-1Y-00A&Z(H)			
DRAWING NO.	TYPE	DRAWING STATUS	SCALE	SHEET
200025729	CUSTOMER DRAWING	已发布	2.5:1	1/1

00			柳学龙	2023.03.03
REV	ECN	DESCRIPTION	DRFT	DATE



Transfer or duplication of this document as well as the utilization or communication of its content are prohibited unless authorized in writing. All rights reserved for patent. 未经授权，禁止复制或传播本文件内容。如有侵权，必究。 0.1/10