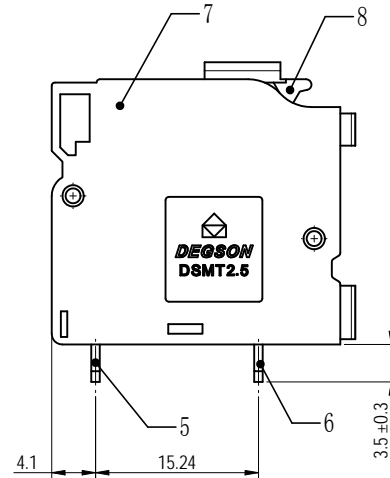
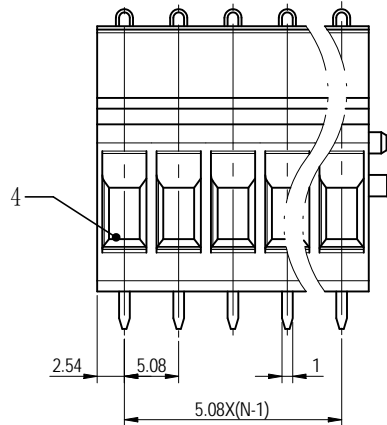
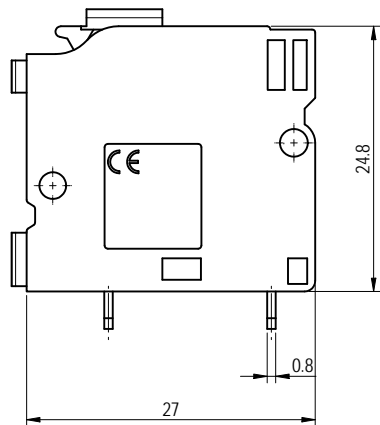
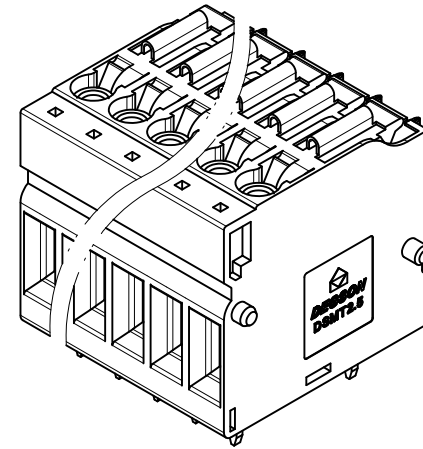
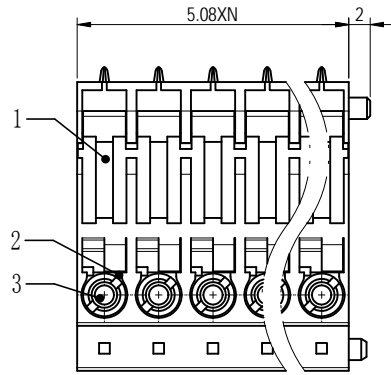


公差/General tolerances (mm)											0.1/10			
0	>3	>6	>10	>18	>30	>50	>80	>120	>180	>250	>315	>400	>500	D ±2
~	3	6	10	18	30	50	80	120	180	250	315	400	500	
±0.12	±0.18	±0.22	±0.26	±0.31	±0.37	±0.57	±0.80	±0.93	±1.05	±1.15	±1.60	±2.20	±2.50	



Note:  
The A&Z (H) in the name means: A(H) and Z(H).

ITEM	NAME OF PART	MATERIAL	NOTES
8	Housing 2	PA66	UL94V-0
7	Housing 1	PA66	UL94V-0
6	Pin header 1	Copper alloy	Sn plated
5	Pin haeder 2	Copper alloy	Sn plated
4	Cage	Copper alloy	M3/Ni plated
3	Screw	Copper alloy	M3/Sn plated
2	Spring	Copper alloy	Ni plated
1	Current carrier	Copper alloy	Sn plated

UL 标准/UL Standard:	B	C	D
额定电压/电压/Rated Voltage(V)/Current(A)	300/15	7	300/10
IEC 标准/IEC Standard:			
过压类别/Overvoltage Category/污染等级/Pollution Degree	III/3	II/2	II/2
额定电压/电压/Rated Voltage(V)/Current(A)	320/15	320/15	630/15
额定脉冲电压(KV)/Rate Impulse Voltage(KV)	4	4	4
螺丝扭矩/Torque Tightening(N·m/Lb.in)	M3: 0.5/4.43		
线径范围(硬线和软线)/Wire Range(rigid and flexible)(AWG/mm <sup>2</sup> )	0.2~2.5(st)		
间距/Pitch(mm)/线数范围/Poles	5.08/N=01~32P		
剥线长度/Stripping length(mm)	8~9		
使用温度范围/Operating temperature(°C)	-40~+105		
符合RoHS环保要求/Conform to RoHS	Yes		

**DEGSON** MATERIAL: SURFACE/COLOR:  
MAT NO./REV: /00 MAT STATUS: 批量

APPD: 兰泰华 2022.09.06 NAME  
CHKD: 陈超 2022.09.06 DMSMT. 5-5.08-XXP-1Y-00A&Z(H)  
DRFT: 黄徐涛 2022.09.05

DRAWING NO.	TYPE	DRAWING STATUS	SCALE	SHEET
200029019	CUSTOMER DRAWING	已发布	1:1	1/1

REV	ECN	DESCRIPTION	DRFT	DATE
00			黄徐涛	2022.09.05

Transfer or duplication of this document as well as the utilization of its contents without the written consent of Degson Electronics Co., Ltd. is prohibited. All rights reserved for patent. 未经授权复制或传播本文件以及其内容的使用，未经德松电子有限公司书面同意，是严格禁止的。所有权利均保留专利。