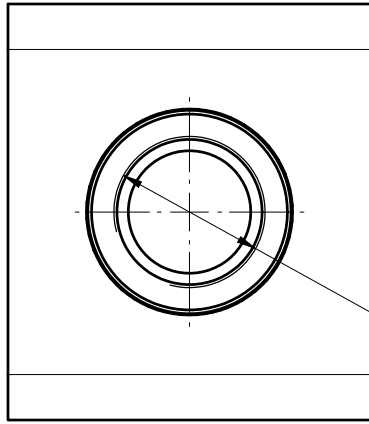
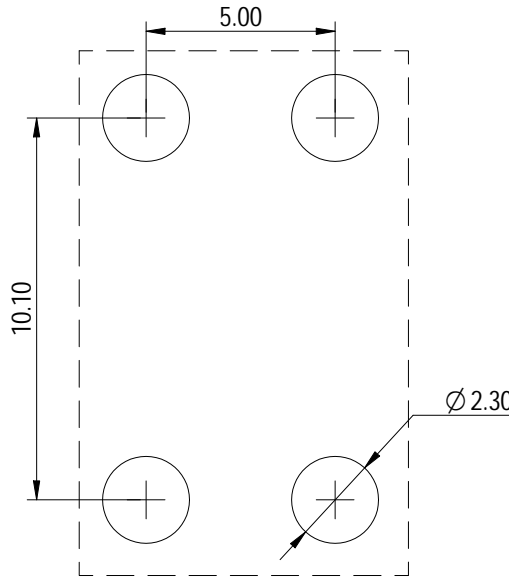


Transfer or duplication of this document as well as the utilization or communication of its contents are prohibited unless authorized in writing by the copyright owner. All rights reserved for patent, utility model or design registrations. 除专利权明确授权外，否则禁止转让、复制、引用、交流本文件的内容。未经专利权人许可，不得复制或传播本文件内容。保留本文件的所有权利。

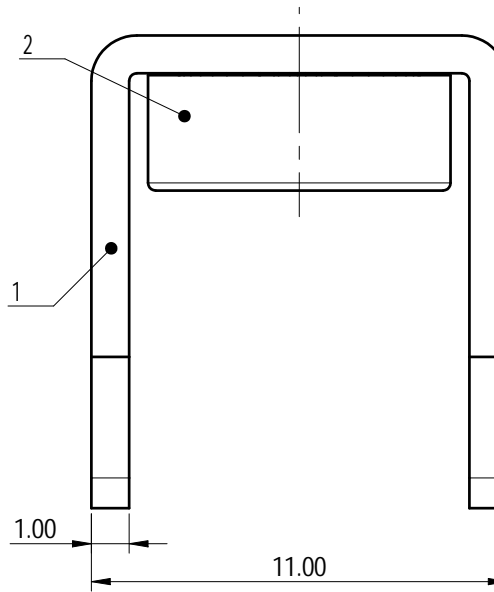
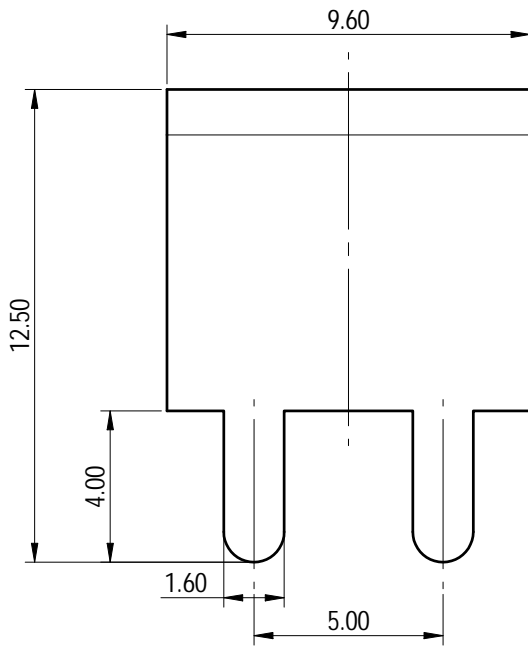
未注公差/General tolerances (mm)													0.1/10
0	>3	>6	>10	>18	>30	>50	>80	>120	>180	>250	>315	>400	
±0.12	±0.18	±0.22	±0.26	±0.31	±0.37	±0.57	±0.80	±0.93	±1.05	±1.15	±1.60	±2.20	±2.50
~3	~6	~10	~18	~30	~50	~80	~120	~180	~250	~315	~400	~500	>500



M4



PCB LAYOUT



Note: The A&Z(H) in the name means: A(H) and Z(H).

2	Nut	Steel	Zn Plated
1	Pin header	Copper alloy	Sn Plated
ITEM	NAME OF PART	MATERIAL	NOTES
额定电流/Rated Current(A)			40A
螺丝扭矩/Torque Tightening(N·m/Lb.in)			M4, 1.8/15.79
符合RoHS环保要求/Conform to RoHS			Yes

		MATERIAL:	SURFACE/COLOR:		
		MAT NO./REV: 1090000044-1 / 00	MAT STATUS: 批量		
APPD: 蓝贵凡 2023.04.25	NAME				
CHKD: 曹利彬 2023.04.25	K31-02A&Z(H)				
DRFT: 姜民洁 2023.04.25					
DRAWING NO. 200187979	TYPE CUSTOMER DRAWING	DRAWING STATUS 已发布	SCALE 5:1	SHEET 1/1	

REV	ECN	DESCRIPTION	DRFT	DATE
00				