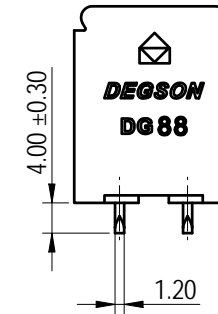
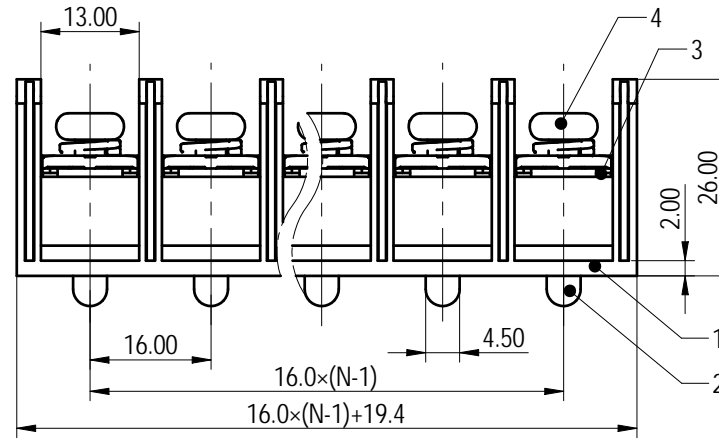
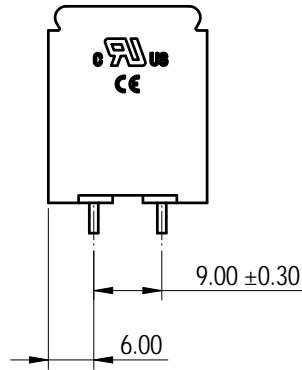
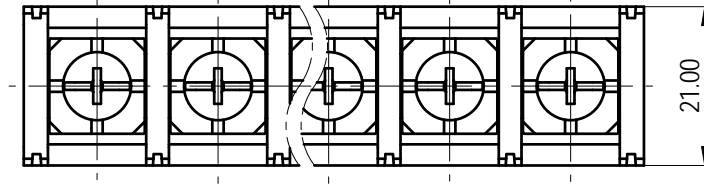


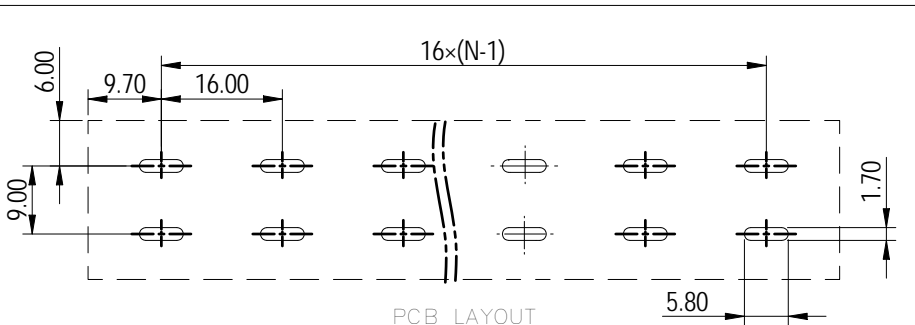
Transfer or duplication of this document as well as the utilization or communication of its contents are prohibited unless authorized in writing by DEGSON. All rights reserved for patent. 除专利等明确标注外，其他标注均非专利。 未经授权，禁止复制或传播。 未经授权使用或传播本文件内容，保留所有权利。 未经授权，禁止复制或传播。 未经授权，禁止复制或传播。

未注公差/General tolerances (mm)													0.1/10 ±2'	
0 ~ 3	>3 ~ 6	>6 ~ 10	>10 ~ 18	>18 ~ 30	>30 ~ 50	>50 ~ 80	>80 ~ 120	>120 ~ 180	>180 ~ 250	>250 ~ 315	>315 ~ 400	>400 ~ 500		>500
±0.12	±0.18	±0.22	±0.26	±0.31	±0.37	±0.57	±0.80	±0.93	±1.05	±1.15	±1.60	±2.20	±2.50	



Note: The A&Z(H) in the name means: A(H) and Z(H).

ITEM	NAME OF PART	MATERIAL	NOTES
4	Screws	Steel	M5/Ni Plated
3	Nut	Steel	M5/Ni Plated
2	Pin header	Copper alloy	Sn Plated
1	Housing	PA66	UL94V-0



UL 标准/UL Standard:	B	C	D
额定电压/电流/Rated Voltage(V)/Current(A)	600/100	/	/
螺丝扭矩/Torque Tightening(N·m/Lb.in)	M5, 22Lb.in		
线径范围(硬线和软线)/Wire Range(rigid and flexible)(AWG/mm <sup>2</sup> )	14~3		
间距/Pitch(mm)/线数范围/Poles	16/N=02~20P		
使用温度范围/Operating temperature(°C)	-40~+105		
符合RoHS环保要求/Conform to RoHS	Yes		

<b>DEGSON</b>		MATERIAL:	SURFACE/COLOR:		
APPD: 蓝贵凡	2022.11.30	MAT NO./REV:	/ 00		
CHKD: 曹利彬	2022.11.30	NAME			
DRFT: 孙科豪	2022.11.30	DG88-XXP-1Y-00A&Z(H)			
DRAWING NO. 200069035		TYPE CUSTOMER DRAWING		DRAWING STATUS 已发布	SHEET 1/1

REV	ECN	DESCRIPTION	DRFT	DATE
00				