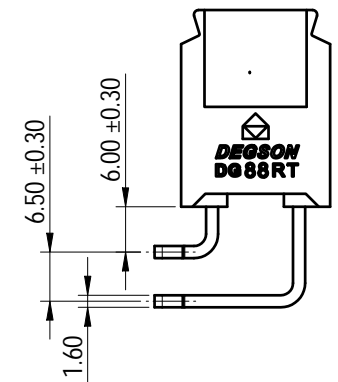
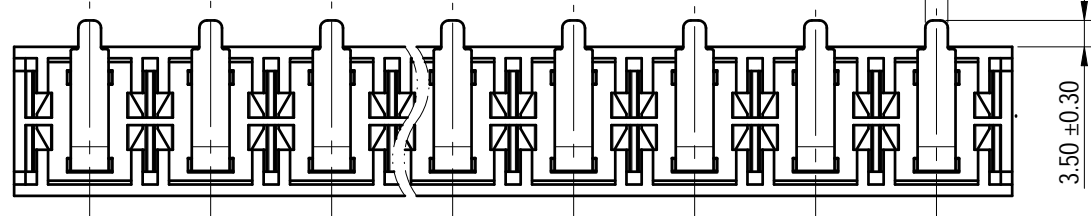
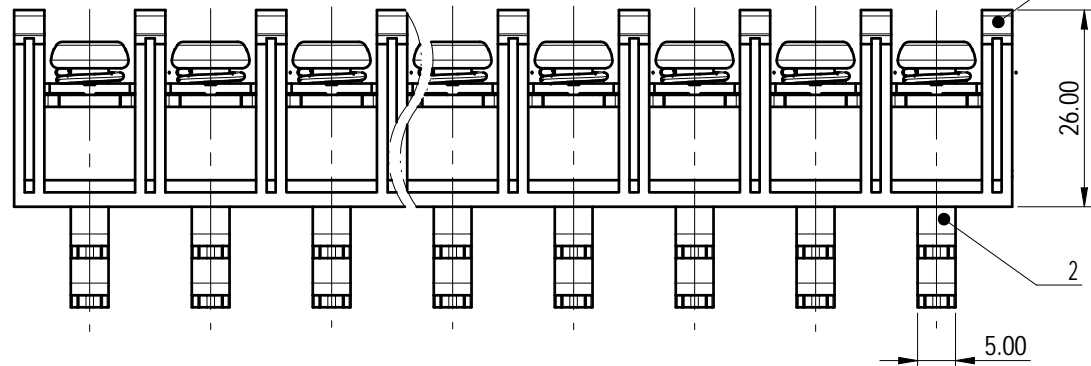
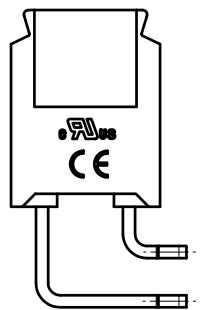
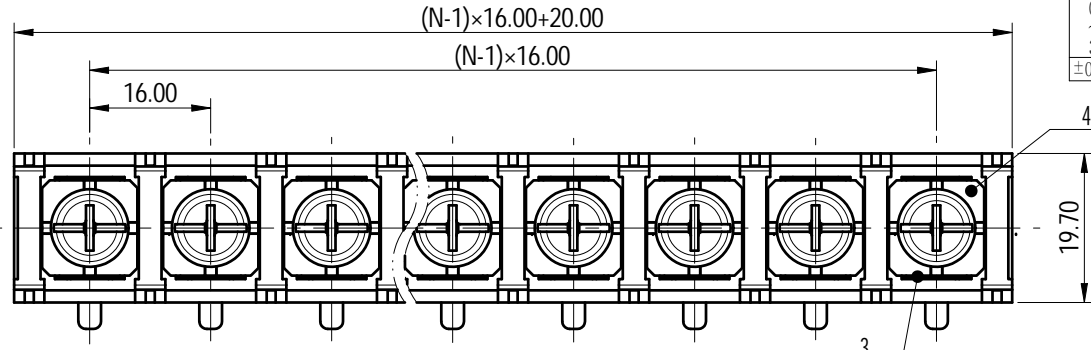


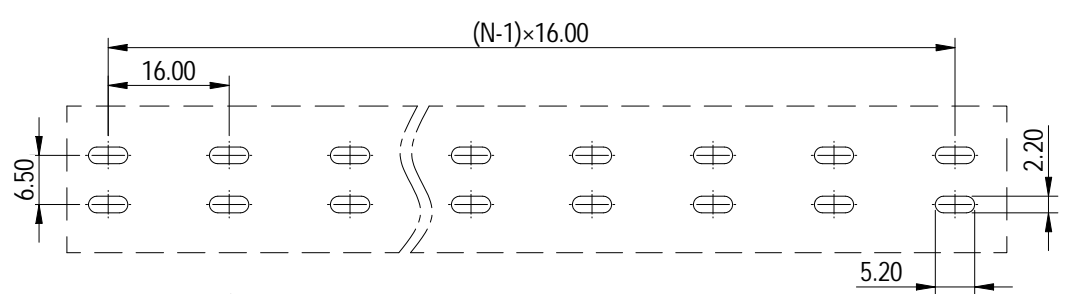
未注公差/General tolerances (mm)											0.1/10 ±2'		
0	>3	>6	>10	>18	>30	>50	>80	>120	>180	>250			
~3	~6	~10	~18	~30	~50	~80	~120	~180	~250	~315	~400	~500	>500
±0.12	±0.18	±0.22	±0.26	±0.31	±0.37	±0.57	±0.80	±0.93	±1.05	±1.15	±1.60	±2.20	±2.50



Note: The A&Z (H) in the name means: A (H) and Z (H).

ITEM	NAME OF PART	MATERIAL	NOTES
4	Screw	Steel	Ni Plated
3	Nut	Steel	Ni Plated
2	Pin header	Copper alloy	Sn Plated
1	Housing	PA66	UL94V-0

UL 标准/UL Standard:	B	C	D
额定电压/电流/Rated Voltage(V)/Current(A)	600/100	600/100	600/30
螺丝扭矩/Torque Tightening(N·m/Lb.in)	M6, 2.8/26.00		
线径范围(硬线和软线)/Wire Range(rigid and flexible)(AWG)	10~3		
间距/Pitch(mm)/线数范围/Poles	16.00/N=02~12P		
使用温度范围/Operating temperature(°C)	-40~+105		
符合RoHS环保要求/Conform to RoHS	Yes		



PCB LAYOUT

<b>DEGSON</b>		MATERIAL:	SURFACE/COLOR:		
APPD: 蓝贵凡	2023.08.21	MAT NO./REV: - / 00	MAT STATUS: 批量		
CHKD: 曹利彬	2023.08.21	NAME			
DRFT: 姜民洁	2023.08.21	DG88RT-XXP-1Y-00A&Z (H)			
DRAWING NO. 200215639		TYPE	DRAWING STATUS	SCALE	SHEET
A4		CUSTOMER DRAWING	已发布	1:1	1/1

REV	ECN	DESCRIPTION	DRFT	DATE
00				

Transfer or duplication of this document as well as the utilization or communication of its content are prohibited unless authorized in writing by DEGSON. All rights reserved for patent, utility model or design registrations. 除专利等权利外，其他权利均归 DEGSON 所有。未经许可，不得复制或传播。 未经授权，不得复制或传播。