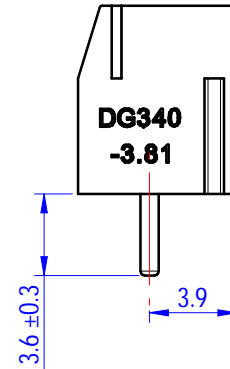
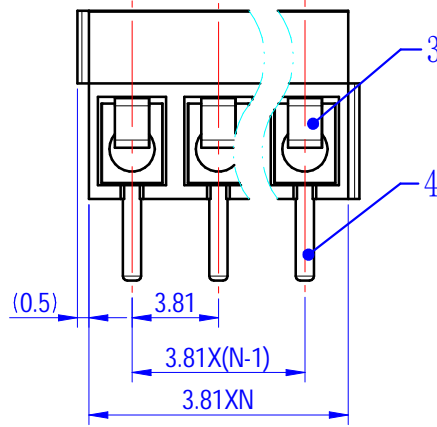
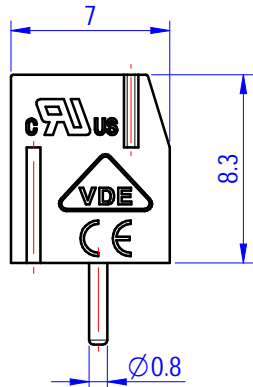
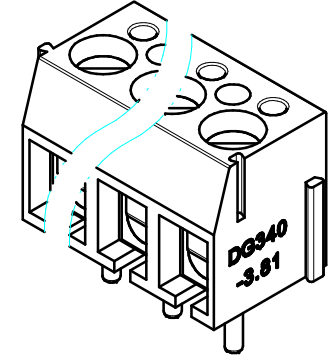
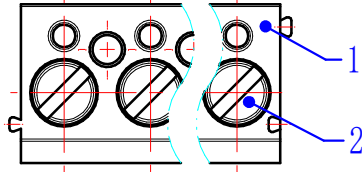


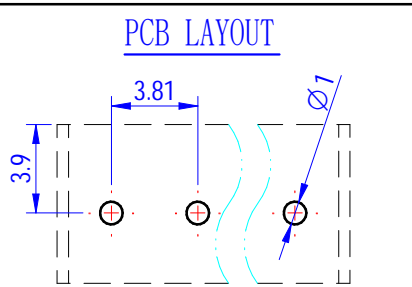
| 未注公差/General tolerances (mm) | | | | | | | | | | | | | 0.1/10 ±2' |
|------------------------------|-------|-------|-------|-------|-------|-------|-------|-------|-------|-------|-------|-------|---------------|
| 0 | >3 | >6 | >10 | >18 | >30 | >50 | >80 | >120 | >180 | >250 | >315 | >400 | |
| ~ 3 | ~ 6 | ~ 10 | ~ 18 | ~ 30 | ~ 50 | ~ 80 | ~ 120 | ~ 180 | ~ 250 | ~ 315 | ~ 400 | ~ 500 | >500 |
| ±0.12 | ±0.18 | ±0.22 | ±0.26 | ±0.31 | ±0.37 | ±0.57 | ±0.80 | ±0.93 | ±1.05 | ±1.15 | ±1.60 | ±2.20 | ±2.50 |

Transfer or duplication of this document as well as the utilization or communication of its contents are prohibited unless expressly authorized by Degson. All rights reserved for patent, utility model or design registrations. 除专利、实用新型、外观设计、发明专利、软件著作权、集成电路布图设计专有权、商标权、域名权、企业名称权、商号权、其他合法权益外，所有权利均归德松公司所有。



| | | | |
|------|--------------|-----------------|--------------|
| 4 | Pin header | Copper alloy | M2/Sn Plated |
| 3 | Spring | Stainless Steel | / |
| 2 | Screw | Steel | M2/Zn Plated |
| 1 | Housing | PA66 | UL94V-0 |
| ITEM | NAME OF PART | MATERIAL | NOTES |

| UL 标准/UL Standard: | B | C | D |
|--|------------------|--------|------|
| 额定电压/电流/Rated Voltage(V)/Current(A) | 300/7 | / | / |
| IEC 标准/IEC Standard: | | | |
| 过压类别/Overtoltage Category/污染等级/Pollution Degree | III/3 | III/2 | II/2 |
| 额定电压/电流/Rated Voltage(V)/Current(A) | / | 130/10 | / |
| 工频耐压/Withstanding voltage(V 1Mn) | AC1250 | | |
| 螺丝扭矩/Torque Tightening(N·m/Lb.in) | M2, 0.2/1.77 | | |
| 线径范围(硬线和软线)/Wire Range(rigid and flexible)(AWG mm ²) | 24~ 18/ 0.5~ 1.0 | | |
| 间距/Pitch(mm)/线数范围/Poles | 3.81/N= 02~ 24P | | |
| 剥线长度/Stripping length(mm) | 5~ 6 | | |
| 使用温度范围/Operating temperature(°C) | -40~ + 105 | | |
| 符合 RoHS 环保要求/Conform to RoHS | Yes | | |



| REV | ECN | DESCRIPTION | DRFT | DATE |
|-----|-----|-------------|------|------------|
| 01 | | 1X更正焊脚定位尺寸 | 龚徐涛 | 2023.07.31 |

| | | | |
|-----------|-----------------------|----------------------------|--------------------|
| | | MATERIAL: | SURFACE/COLOR: |
| APPD: 兰春华 | 2023.07.31 | MAT NO./REV: / 00 | MAT STATUS: 批量 |
| CHKD: 陈招 | 2023.07.31 | NAME | |
| DRFT: 龚徐涛 | 2023.07.31 | DG340-3.81-XXP-1Y-00A&Z(H) | |
| | DRAWING NO. 200103662 | TYPE CUSTOMER DRAWING | DRAWING STATUS 已发布 |
| | | SCALE 3:1 | SHEET 1/1 |