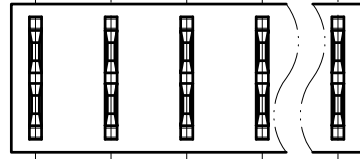
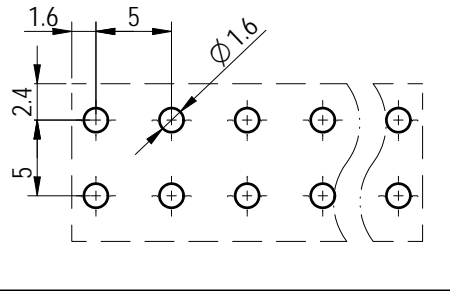
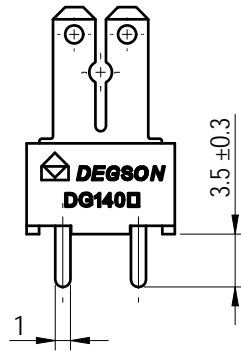
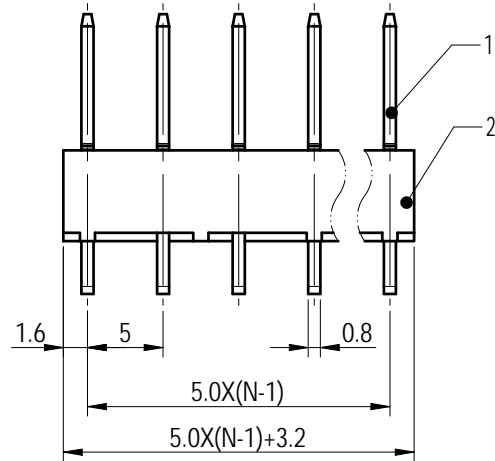
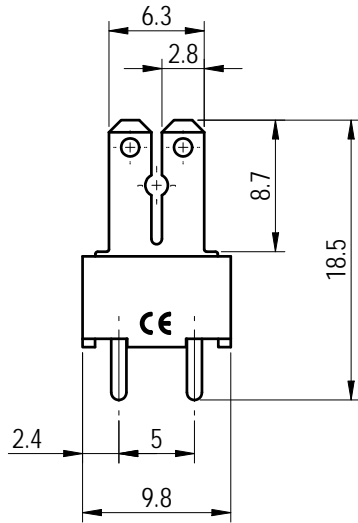
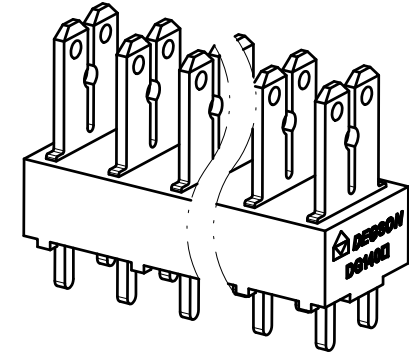


PCB LAYOUT



未注公差/General tolerances (mm)													0.1/10
0	>3	>6	>10	>18	>30	>50	>80	>120	>180	>250	>315	>400	
±0.12	±0.18	±0.22	±0.26	±0.31	±0.37	±0.57	±0.80	±0.93	±1.05	±1.15	±1.60	±2.20	±2.50



Note:
The A&Z (H) in the name means: A(H) and Z(H).

ITEM	NAME OF PART	MATERIAL	NOTES
2	Housing	PA66	UL94V-2
1	Pin header	Copper alloy	Sn plated

UL 标准/UL Standard:	B	C	D
额定电压/电流/Rated Voltage(V)/Current(A)	300/15	/	300/10
IEC 标准/IEC Standard:			
过压类别/Overvoltage Category/污染等级/Pollution Degree	III/3	III/2	II/2
额定电压/电流/Rated Voltage(V)/Current(A)	/	630/24	/
工频耐压电压(V/Min)/Withstanding Voltage(V/Min)	/	AC3000	/
间距/Pitch(mm)/线数范围/Poles	5.0/N=02~19P		
使用温度范围/Operating temperature(°C)	-40~+75		
符合RoHS环保要求/Conform to RoHS	Yes		

DEGSON		MATERIAL:	SURFACE/COLOR:
APPD: 兰春华	2022.09.27	MAT NO./REV: / 00	MAT STATUS: 批量
CHKD: 陈招	2022.09.27	NAME	
DRFT: 龚徐涛	2022.09.27	DG140V-5.0-XXP-1Y-00A&Z(H)	
DRAWING NO. 200029087	TYPE CUSTOMER DRAWING	DRAWING STATUS 已发布	SCALE 2:1
SHEET 1/1			

REV	ECN	DESCRIPTION	DRFT	DATE
00			龚徐涛	2022.09.27

Transfer or duplication of this document as well as the utilization or communication of its contents are prohibited unless authorized in writing. All rights reserved for patent. 除专利声明外，其他内容均受法律保护。未经许可，不得复制或传播。 0.1/10