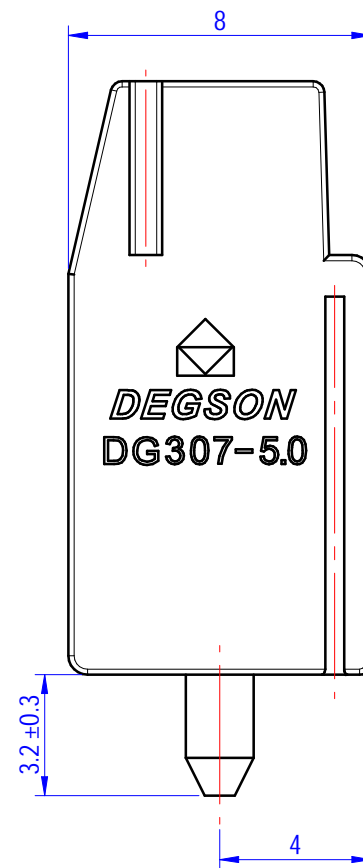
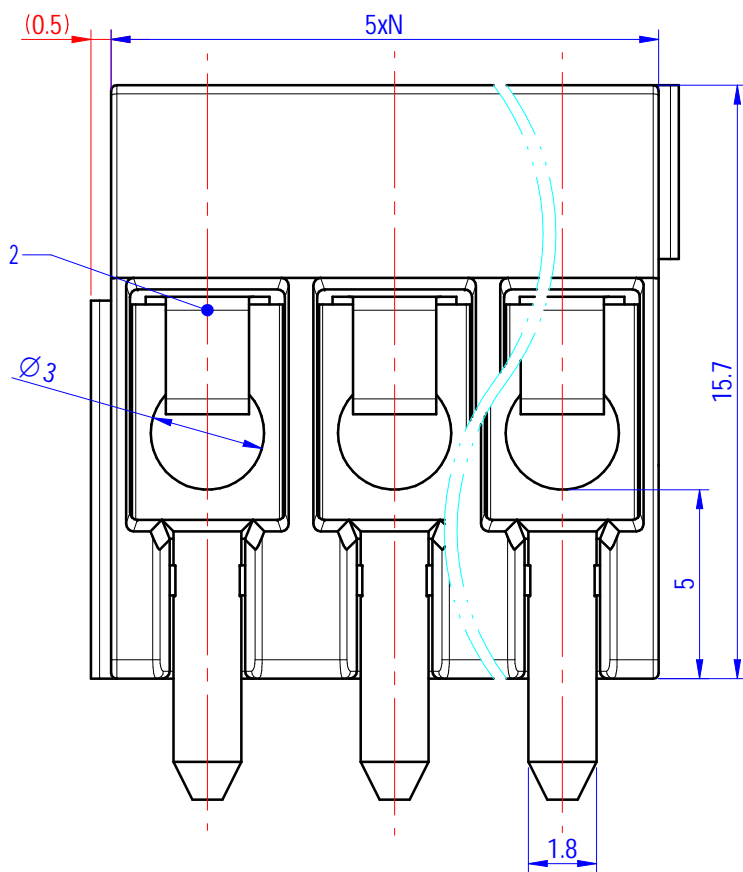
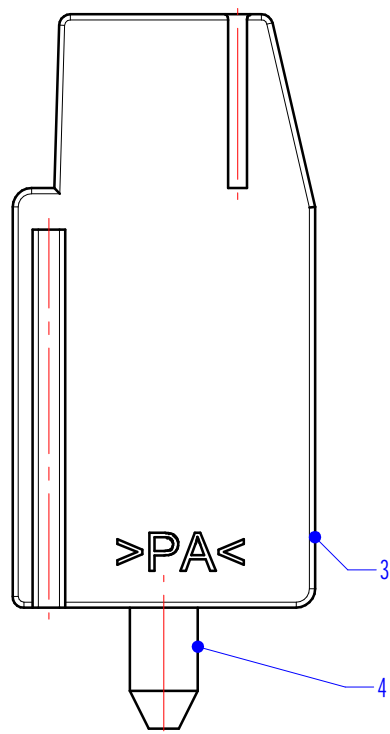
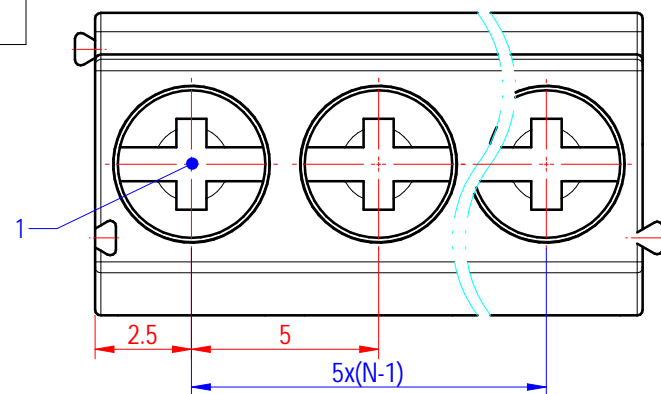
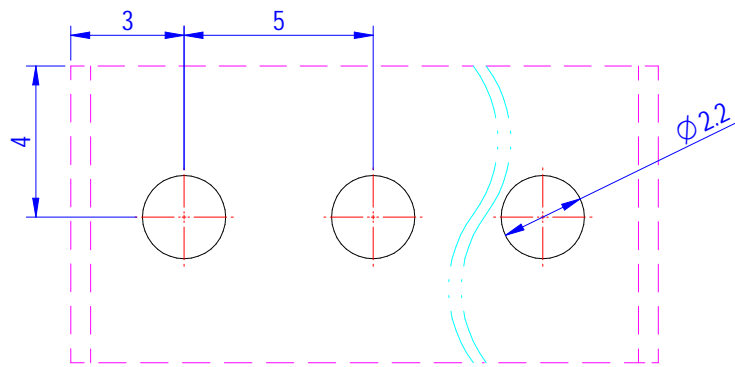
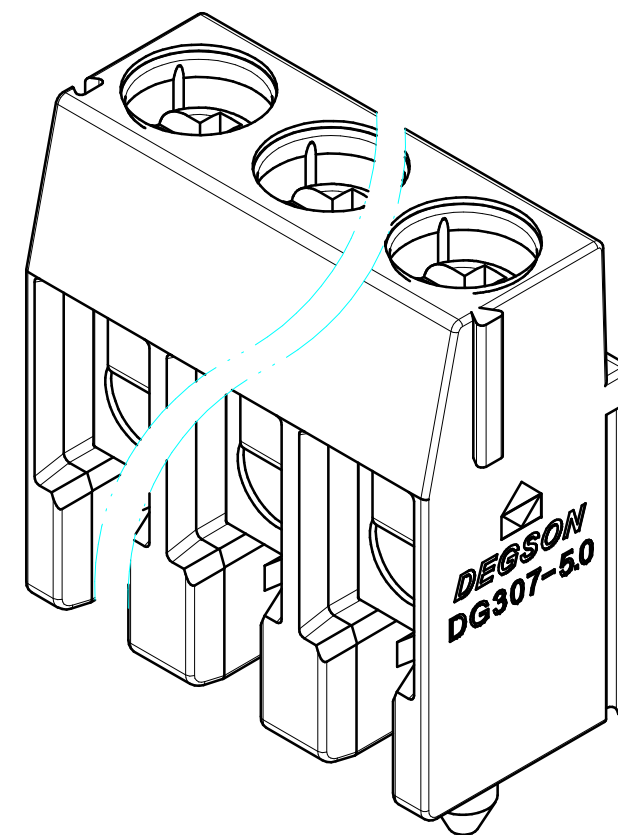


PCB LAYOUT



未注公差/General tolerances (mm)											0.1/10		
0	>3	>6	>10	>18	>30	>50	>80	>120	>180	>250		>315	>400
±0.12	±0.18	±0.22	±0.26	±0.31	±0.37	±0.57	±0.80	±0.93	±1.05	±1.15	±1.60	±2.20	±2.50
UL 标准/UL Standard											B	C	D
额定电压/电流/Rated Voltage(V)/Current(A)											300/10	/	/
IEC 标准/IEC Standard													
过压类别/Overvoltage Category/污染等级/Pollution Degree											III/3	III/2	II/2
额定电压/电流/Rated Voltage(V)/Current(A)											/	250/18	/
额定脉冲电压(KV)/Rate Impulse Voltage(KV)											/	4	/
螺丝扭矩/Torque Tightening(N·m/Lb.in)											M3.0.5/4.43		
线径范围(硬线和软线)/Wire Range(rigid and flexible)(AWG/mm²)											22~14/0.5~2.5		
间距/Pitch(mm)/线数范围/Poles											5.0/N= 02~06P		
剥线长度/Stripping length(mm)											5~6		
使用温度范围/Operating temperature(°C)											-40~+105		
符合RoHS环保要求/Conform to RoHS											Yes		



Note:  
The A&Z(H) in the name means: A(H) and Z(H).

4	Pin	Copper alloy	M3/Sn Plated
3	Housing	PA66	UL94V-0
2	Spring	Stainless steel	/
1	Screw	Stainless steel	M3
ITEM	NAME OF PART	MATERIAL	NOTES

		MATERIAL:		SURFACE/COLOR:	
MAT NO./REV:		/ 00		MAT STATUS: 批量	
APPD: 兰春华	2023.03.14	NAME			
CHKD: 陈招	2023.03.14	DG307-5.0-XXP-1Y-00A&Z(H)			
DRAFT: 柳学龙	2023.03.14	DRAWING NO.	TYPE	DRAWING STATUS	SCALE
		200025784	CUSTOMER DRAWING	已发布	5:1
REV	ECN	DESCRIPTION	DRFT	DATE	SHEET
00			柳学龙	2023.03.14	1/1

Transfer or duplication of this document as well as the utilization or communication of its contents are prohibited unless explicit authorization is granted. Violations will be liable for compensation. All rights reserved for patent. 复制或再行传播此文件以及其内容之利用或沟通均受禁止，未经授权之复制或再行传播行为，侵权者将承担赔偿责任。本公司保留所有权利。