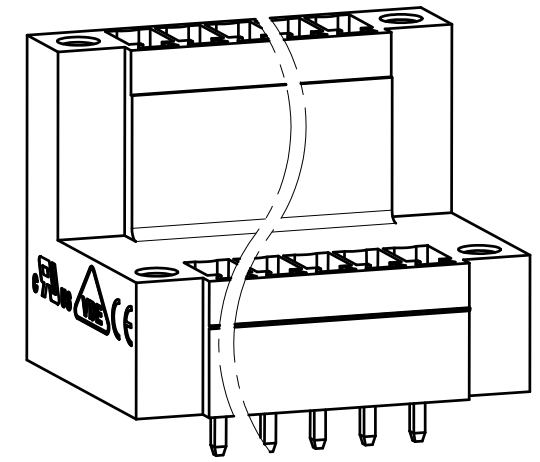
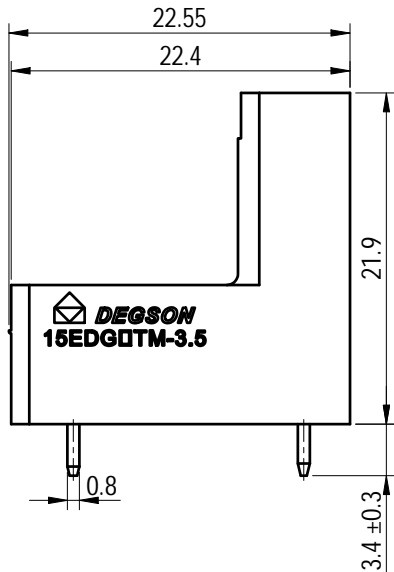
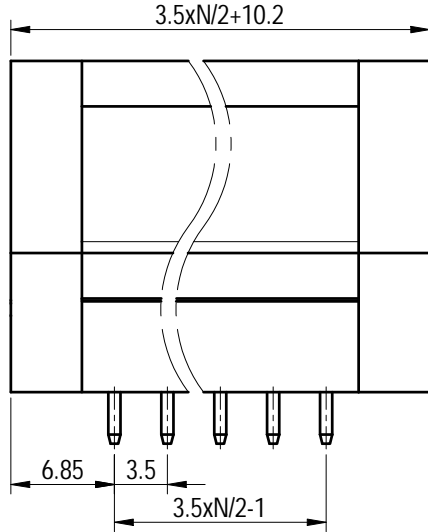
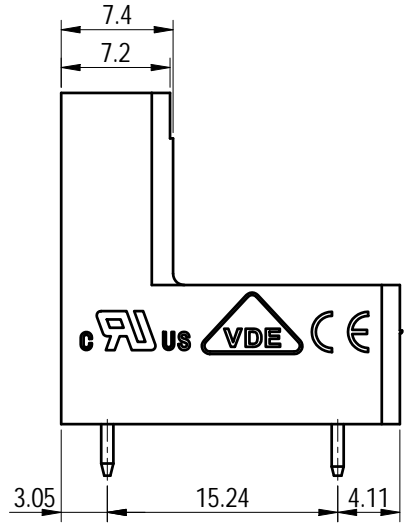
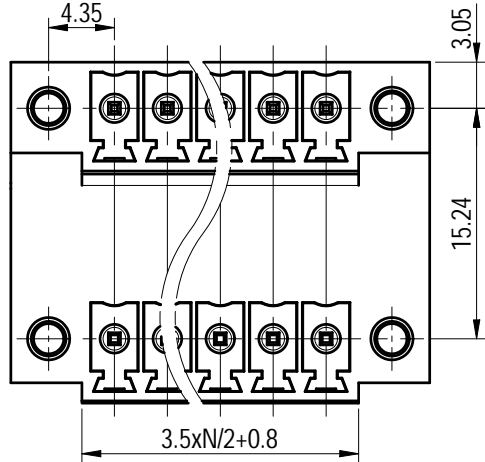


PCB LAYOUT



Note:
The A&Z(H) in the name means: A(H) and Z(H).

ITEM	NAME OF PART	MATERIAL	NOTES
5	Screw cap	Copper alloy	M2.5
4	Pin 2	Copper alloy	Sn Plated
3	Pin 1	Copper alloy	Sn Plated
2	Cover	PA66	UL94V-0
1	Housing	PA66	UL94V-0

未注公差/General tolerances (mm)												0.1/10		
0	>3	>6	>10	>18	>30	>50	>80	>120	>180	>250	>315		>400	>500
±0.12	±0.18	±0.22	±0.26	±0.31	±0.37	±0.57	±0.80	±0.93	±1.05	±1.15	±1.60	±2.20	±2.50	±2'

UL 标准/UL Standard:	B	C	D
额定电压/电流/Rated Voltage(V)/Current(A)	300/8	/	300/8

IEC 标准/IEC Standard:	III/3	III/2	II/2
过压类别/Overvoltage Category/污染等级/Pollution Degree	III/3	III/2	II/2
额定电压/电流/Rated Voltage(V)/Current(A)	/	250/7	/
额定脉冲电压(KV)/Rate Impulse Voltage(KV)	/	2.5	/
间距/Pitch(mm)/线数范围/Poles	3.5/N=04~48P		
使用温度范围/Operating temperature(°C)	-40~+105		
符合RoHS环保要求/Conform to RoHS	Yes		

DEGSON		MATERIAL:	SURFACE/COLOR:	
APPD: 兰春华	2023.03.10	MAT NO./REV: - / 00	MAT STATUS: 批量	
CHKD: 龚耀志	2023.03.10	NAME		
DRFT: 代永康	2023.03.10	15EDGVTM-3.5-XXP-1Y-00A&Z(H)		
DRAWING NO. 200020927	TYPE CUSTOMER DRAWING	DRAWING STATUS 已发布	SCALE 2:1	SHEET 1/1

REV	ECN	DESCRIPTION	DRFT	DATE
00			代永康	2023.03.10

Transfer or duplication of this document as well as the utilization or communication of its contents are prohibited unless authorized in writing. All rights reserved for patent, utility model or design registrations. 除专利、实用新型、外观设计、发明专利、软件著作权、集成电路布图设计专有权、商业秘密和未公开的文档的所有权外，其他权利均保留。