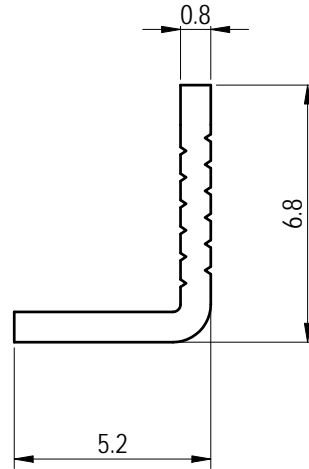
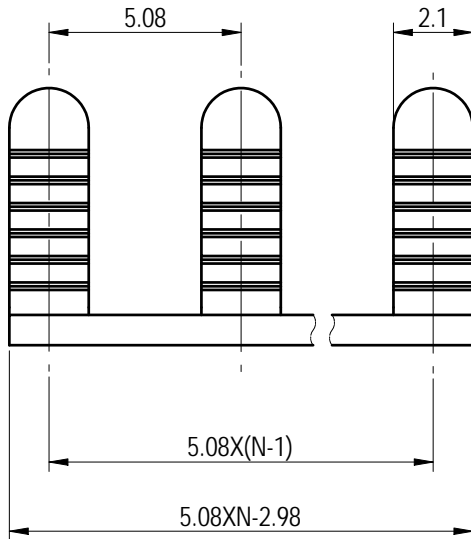
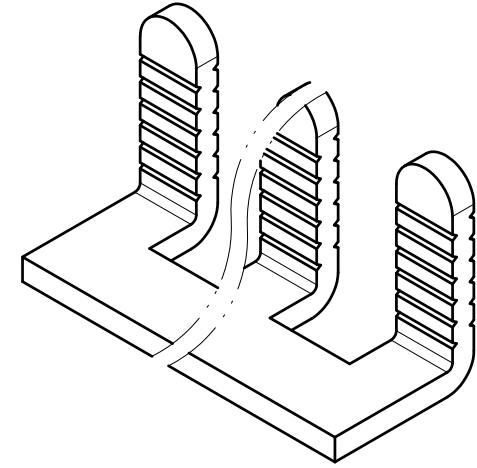
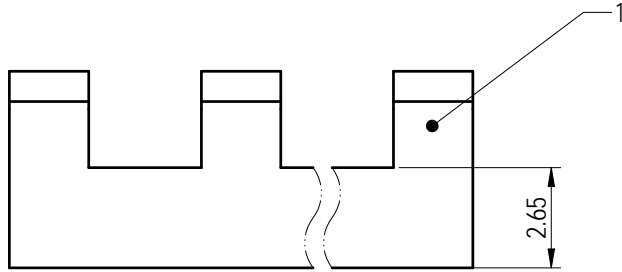


未注公差/General tolerances (mm)													0.1/10
0	>3	>6	>10	>18	>30	>50	>80	>120	>180	>250	>315	>400	
~3	~6	~10	~18	~30	~50	~80	~120	~180	~250	~315	~400	~500	>500
±0.12	±0.18	±0.22	±0.26	±0.31	±0.37	±0.57	±0.80	±0.93	±1.05	±1.15	±1.60	±2.20	±2.50



Note:  
The A&Z(H) in the name means: A(H) and Z(H).

ITEM	NAME OF PART	MATERIAL	NOTES
1	Current carrier	Copper	Sn plated

间距/Pitch(mm)/线数范围/Poles	5.08/N=02~03P
符合RoHS环保要求/Conform to RoHS	Yes

<b>DEGSON</b>		MATERIAL:	SURFACE/COLOR:
APPD: 兰春华 2023.01.03		MAT NO./REV:	MAT STATUS: 批量
CHKD: 陈招 2023.01.03		NAME	
DRFT: 龚徐涛 2023.01.03		DG042-5.08-XXP-00A&Z(H)	
DRAWING NO.	TYPE	DRAWING STATUS	SCALE
200029372	CUSTOMER DRAWING	已发布	5:1
SHEET		1/1	

REV	ECN	DESCRIPTION	DRFT	DATE
00			龚徐涛	2023.01.03

Transfer or duplication of this document as well as the utilization or communication of its contents are prohibited unless expressly authorized in writing by the copyright owner. All rights reserved for patent, utility model or design registrations. 除专利权明确授权外, 否则禁止转让、复制、引用、交流本文件的内容。未经专利权人明确授权, 否则禁止转让、复制、引用、交流本文件的内容。保留专利权及设计专利权。 除专利权明确授权外, 否则禁止转让、复制、引用、交流本文件的内容。保留专利权及设计专利权。 All rights reserved for patent, utility model or design registrations.