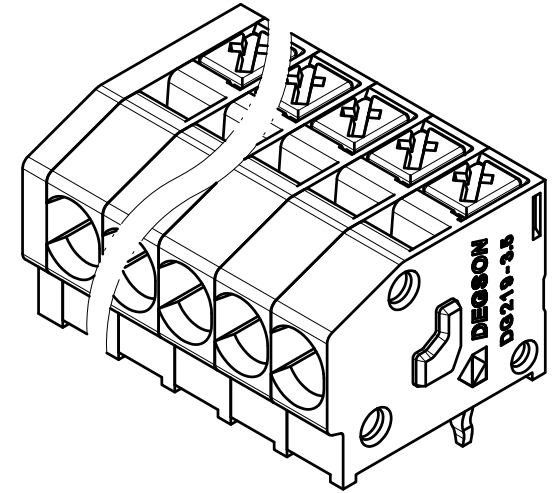


公差/General tolerances (mm)													0.1/10
0	>3	>6	>10	>18	>30	>50	>80	>120	>180	>250	>315	>400	
~3	~6	~10	~18	~30	~50	~80	~120	~180	~250	~315	~400	~500	>500
±0.12	±0.18	±0.22	±0.26	±0.31	±0.37	±0.57	±0.80	±0.93	±1.05	±1.15	±1.60	±2.20	



Note:
The A&Z (H) in the name means: A(H) and Z(H).

ITEM	NAME OF PART	MATERIAL	NOTES
6	Back pin header	Copper	Sn plated
5	Front pin header	Copper	Sn plated
4	Spring	Stainless steel	/
3	Cover	PA66	UL94V-0
2	Hosuing	PA66	UL94V-0
1	Button	PA66	UL94V-0

Based on Cover,
the first one
is back pin header.

UL 标准/UL Standard:	B	C	D
额定电压/电流/Rated Voltage(V)/Current(A)	300/10	/	300/10
IEC 标准/IEC Standard:			
过压类别/Overvoltage Category/污染等级/Pollution Degree	III/3	III/2	II/2
额定电压/电流/Rated Voltage(V)/Current(A)	320/17.5	320/17.5	630/17.5
额定脉冲电压(KV)/Rate Impulse Voltage(KV)	4	4	4
线径范围(硬线和软线)/Wire Range(rigid and flexible)(AWG/mm²)	24~16 / 0.2~1.5		
间距/Pitch(mm)/线数范围/Poles	3.5/N=01~24P		
剥线长度/Stripping length(mm)	9-10		
使用温度范围/Operating temperature(°C)	-40~+105		
符合RoHS环保要求/Conform to RoHS	Yes		

DEGSON		MATERIAL:	SURFACE/COLOR:		
MAT NO./REV:		/ 00		MAT STATUS: 批量	
APPD: 兰春华	2022.10.11	NAME			
CHKD: 陈招	2022.10.11	DG219-3.5-XXP-1Y-00A&Z(H)			
DRFT: 龚徐涛	2022.10.11	DRAWING NO.	TYPE	DRAWING STATUS	SCALE
A4		200029135	CUSTOMER DRAWING	已发布	3:1
(inch)				SHEET	1/1

REV	ECN	DESCRIPTION	DRFT	DATE
00			龚徐涛	2022.10.11

Transfer or duplication of this document as well as the utilization or communication of its content are prohibited unless authorized in writing by DEGSON. All rights reserved for patent. 未经授权，禁止复制或传播本文件内容。如有侵权，必究。本公司保留对涉及发明、实用新型及外观设计专利的所有权利。