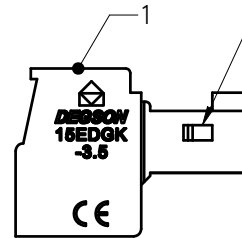
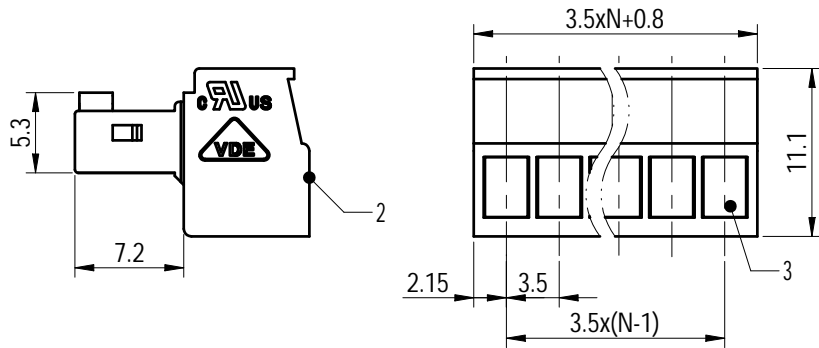
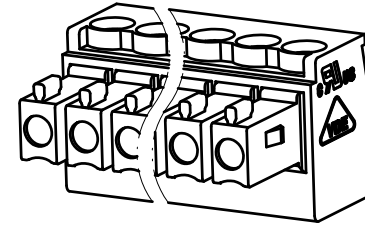
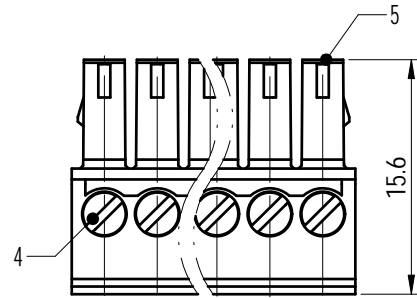


公差/General tolerances (mm)													0.1/10	
0	>3	>6	>10	>18	>30	>50	>80	>120	>180	>250	>315	>400		
~3	~6	~10	~18	~30	~50	~80	~120	~180	~250	~315	~400	~500	>500	
±0.12	±0.18	±0.22	±0.26	±0.31	±0.37	±0.57	±0.80	±0.93	±1.05	±1.15	±1.60	±2.20	±2.50	±2'



Only 02-06 Poles there are the stick points on both sides

Note:
The A&Z(H) in the name means: A(H) and Z(H).

ITEM	NAME OF PART	MATERIAL	NOTES
5	Clamp	Copper Alloy	Sn Plated
4	Screw	Steel	M2/Zn Plated
3	Cage	Copper Alloy	M2/Ni Plated
2	Cover	PA66	UL94V-0
1	Housing	PA66	UL94V-0

UL 标准/UL Standard:	B	C	D
额定电压/电流/Rated Voltage(V)/Current(A)	300/8	/	300/8
IEC 标准/IEC Standard:			
过压类别/Overvoltage Category/污染等级/Pollution Degree	III/3	III/2	II/2
额定电压/电流/Rated Voltage(V)/Current(A)	/	/	250/7
额定脉冲电压(KV)/Rate Impulse Voltage(KV)	/	/	2.5
螺丝扭矩/Torque Tightening(N·m/Lb.in)	M2, 0.2/1.77		
线径范围(硬线和软线)/Wire Range(rigid and flexible)(AWG/mm ²)	28~16/ 0.5~1.5		
间距/Pitch(mm)/线数范围/Poles	3.5/N=02~24P		
剥线长度/Stripping length(mm)	6~7		
使用温度范围/Operating temperature(°C)	-40~+105		
符合RoHS环保要求/Conform to RoHS	Yes		
标准颜色编号/Standard color number: PANTONE / RAL	/		

APPD: 兰春华	2022.08.17
CHKD: 龚耀志	2022.08.16
DRFT: 胡松	2022.08.16

MATERIAL:		SURFACE/COLOR:	
MAT NO./REV: - / 00		MAT STATUS: 批量	
NAME 15EDGK-3.5-XXP-1Y-00A&Z(H)			
DRAWING NO. 200083554	TYPE CUSTOMER DRAWING	DRAWING STATUS 已发布	SCALE 2:1
		SHEET 1/1	

REV	ECN	DESCRIPTION	DRFT	DATE
00			胡松	2022.08.16

Transfer or duplication of this document as well as the utilization or communication of its contents are prohibited unless authorized in writing by DEGSON. All rights reserved for patent, utility model or design registrations. 除专利等权利明确标注外, 未经授权, 不得复制或传播。 凡属 DEGSON 公司设计或发明的产品, 其名称和规格均受法律保护, 未经许可, 不得复制或传播。