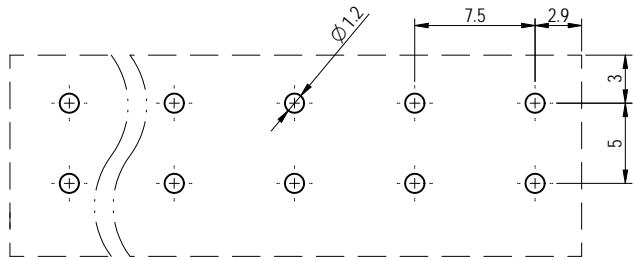
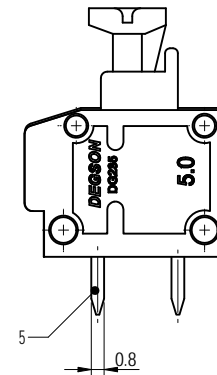
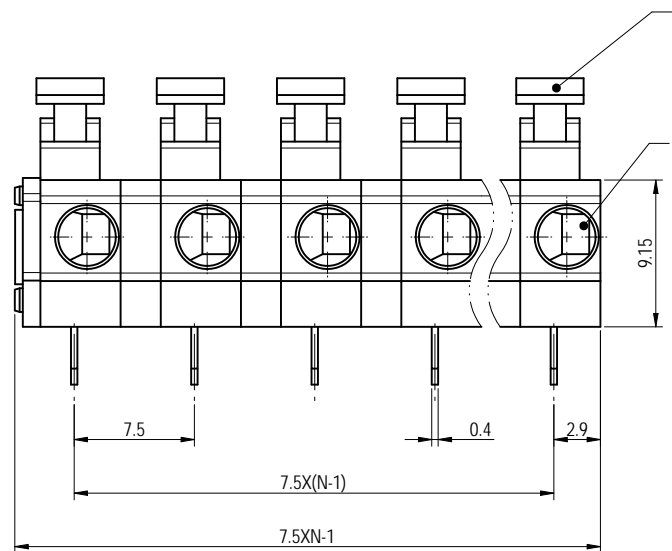
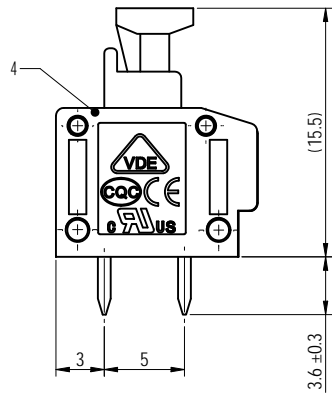
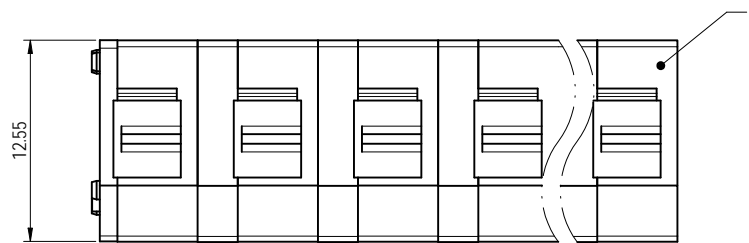
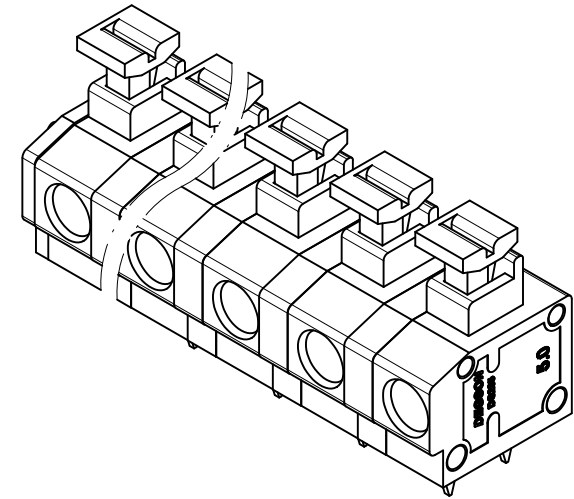


PCB LAYOUT



公差/General tolerances (mm)													D	
0	>3	>6	>10	>18	>30	>50	>80	>120	>180	>250	>315	>400	>500	0.1/10
~	~	~	~	~	~	~	~	~	~	~	~	~	~	N
±0.12	±0.18	±0.22	±0.26	±0.31	±0.37	±0.57	±0.80	±0.93	±1.05	±1.15	±1.60	±2.20	±2.50	±2



Note:
The A&Z(H) in the name means: A(H) and Z(H).

ITEM	NAME OF PART	MATERIAL	NOTES
5	Pin header	Copper alloy	Sn plated
4	Cover	PA66	UL94V-0
3	Spring	Stainless steel	/
2	Button	PA66	UL94V-0
1	Housing	PA66	UL94V-0

UL 标准/UL Standard:	B	C	D
额定电压/电流/Rated Voltage(V)/Current(A)	300/5	150/5	300/5
IEC 标准/IEC Standard:			
过压类别/Overvoltage Category/污染等级/Pollution Degree	III/3	III/2	II/2
额定电压/电流/Rated Voltage(V)/Current(A)	/	450/15	/
工频耐压/Withstanding Voltage(V/1Min)	AC2500		
线径范围(硬线和软线)/Wire Range(rigid and flexible)(AWG/mm²)	0.2~1.5/2.5(Sol)/20~18		
间距/Pitch(mm)/线数范围/Poles	7.5/N=02~16P		
剥线长度/Stripping length(mm)	10		
使用温度范围/Operating temperature(°C)	-40~+105		
符合RoHS环保要求/Conform to RoHS	Yes		

DIGSON MATERIAL: SURFACE/COLOR: MAT NO./REV: / 00 MAT STATUS: 批量

NAME: **DG235-7.5-XXP-1Y-00A&Z(H)**

APPD: 兰春华	2022.10.19	NAME	
CHKD: 陈超	2022.10.19	DRAWING NO.	200029162
DRFT: 黄徐涛	2022.10.19	TYPE	CUSTOMER DRAWING
DATE	2022.10.19	DRAWING STATUS	已发布
		SCALE	1:1
		SHEET	1/1

REV	ECN	DESCRIPTION	DRFT	DATE
00				2022.10.19

Transfer or duplication of this document as well as the utilization of its contents without the written permission of the manufacturer is prohibited. All rights reserved for patent. 复制或再行发布此文件以及其内容之利用，未经制造商之书面许可，均属侵权行为。保留所有权利。保留所有权利。