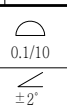
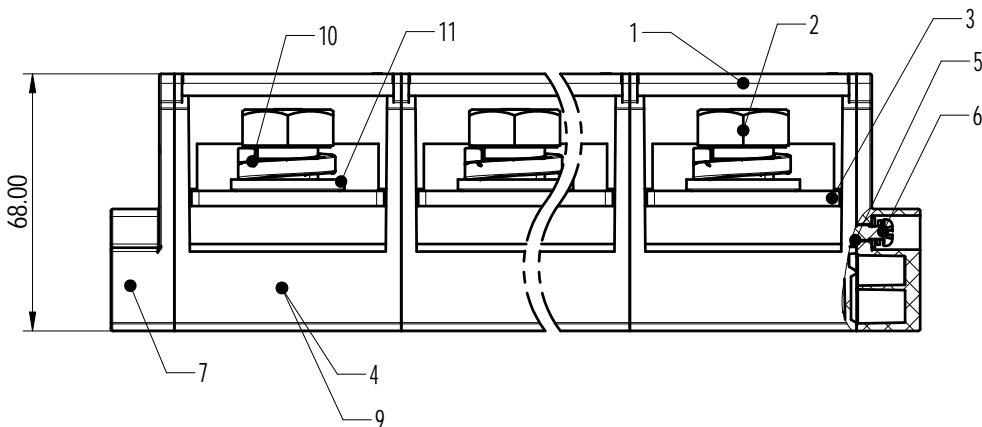
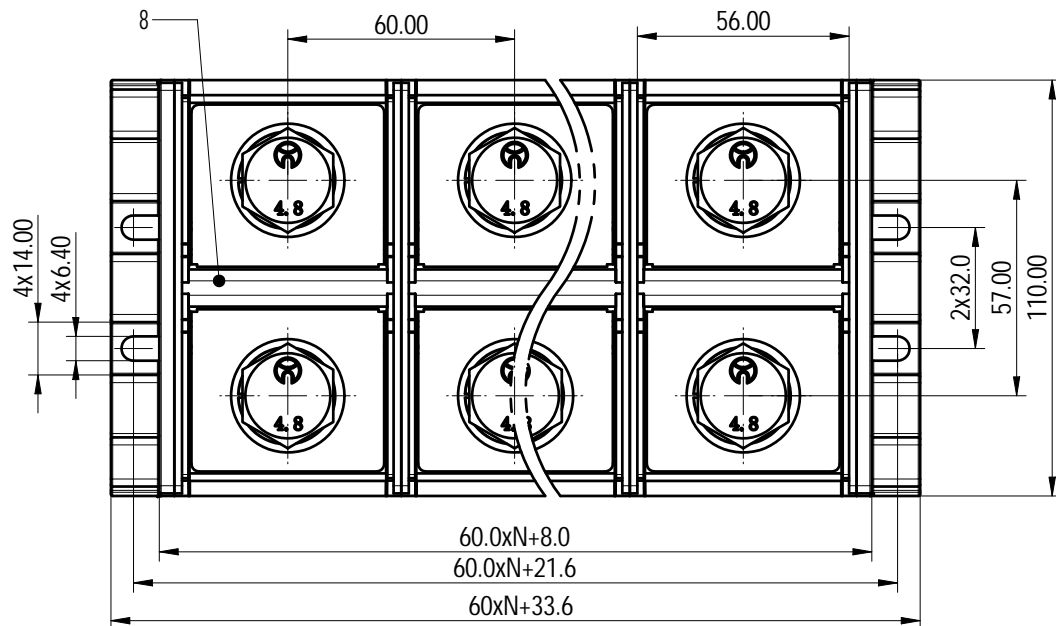


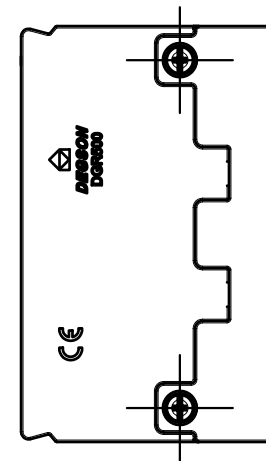
未注公差/General tolerances(mm)													
0	>3	>6	>10	>18	>30	>50	>80	>120	>180	>250	>315	>400	
3	6	10	18	30	50	80	120	180	250	315	400	500	
±0.12	±0.18	±0.22	±0.26	±0.31	±0.37	±0.57	±0.80	±0.93	±1.05	±1.15	±1.60	±2.20	±2.50



(W/O COVER VIEW)



UL 标准/UL Standard:	
额定电压/电流/Rated Voltage(V)/Current(A)	600/500(B/C)
螺丝扭矩/Torque Tightening(N·m/Lb.in)	M16, 24/213
线径范围/Wire Range(komil)	300~750
间距/Pitch(mm)/线数范围/Poles	60.0/N=01~16P
剥线长度/Stripping length(mm)	19~21
使用温度范围/Operating temperature(°C)	-40~+125
符合RoHS环保要求/Conform to RoHS	Yes



Note:The A&Z(H) in the name means:A(H) and Z(H).

ITEM	NAME OF PART	MATERIAL	NOTES
11	Flat washer	Steel	Zn Plated
10	Spring washer	Steel	Zn Plated
9	Nut	Steel	M16/Zn Plated
8	Tag	PVC	UL94V-0
7	Housing2	PC	UL94V-0
6	Screw2	Steel	M4/Zn Plated
5	Connect pillar	Steel	Zn Plated
4	Housing1	PC	UL94V-0
3	Current carrier	Copper Alloy	Ni Plated
2	Screw1	Steel	M16/Zn Plated
1	Cover	PC	UL94V-2

		MATERIAL:		SURFACE:	
MAT NO./REV:-		/ 00		MAT STATUS: 批量	
APPD: 蓝贵凡	2023.11.23	NAME			
CHKD: 曹利彬	2023.11.23	DGR500-XXP-1Y-00A&Z(H)			
DRFT: 姜民浩	2023.11.23	DRAWING NO.	TYPE	DRAWING STATUS	SCALE
A4		200016624	CUSTOMER DRAWING	已发布	2:1
mm (inch)		SHEET		1/1	

REV	ECN	DESCRIPTION	DRFT	DATE
00				

Transfer or duplication of this document as well as the utilization or communication of its contents are prohibited unless written authorization is granted. Degson and its related trademarks will be taken for compensation. All rights reserved for patent, utility model or designs registrations. 非经书面明确授权, 否则禁止转让、复制、利用、交加本文件的内容。一经发现侵权, 侵权者将承担法律责任。 本公司保留对涉及发明、实用新型和外观设计的所有权利。