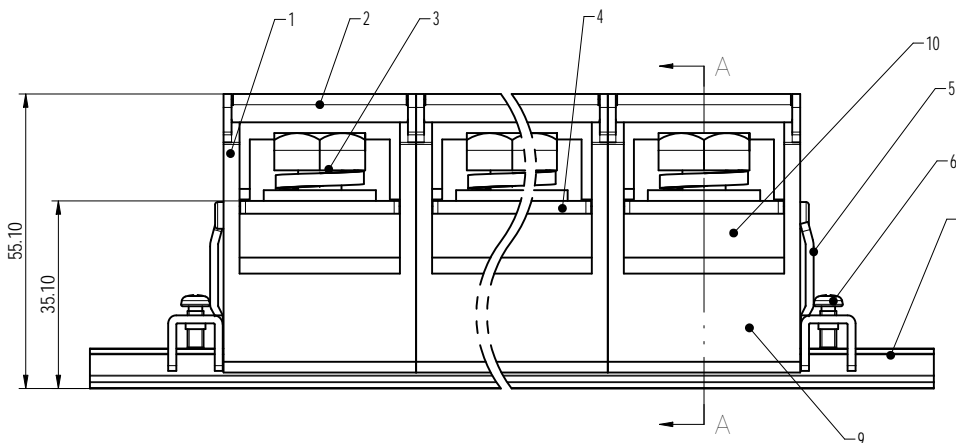
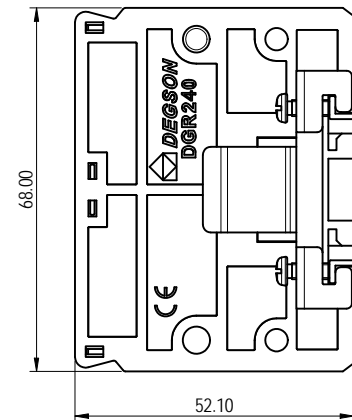
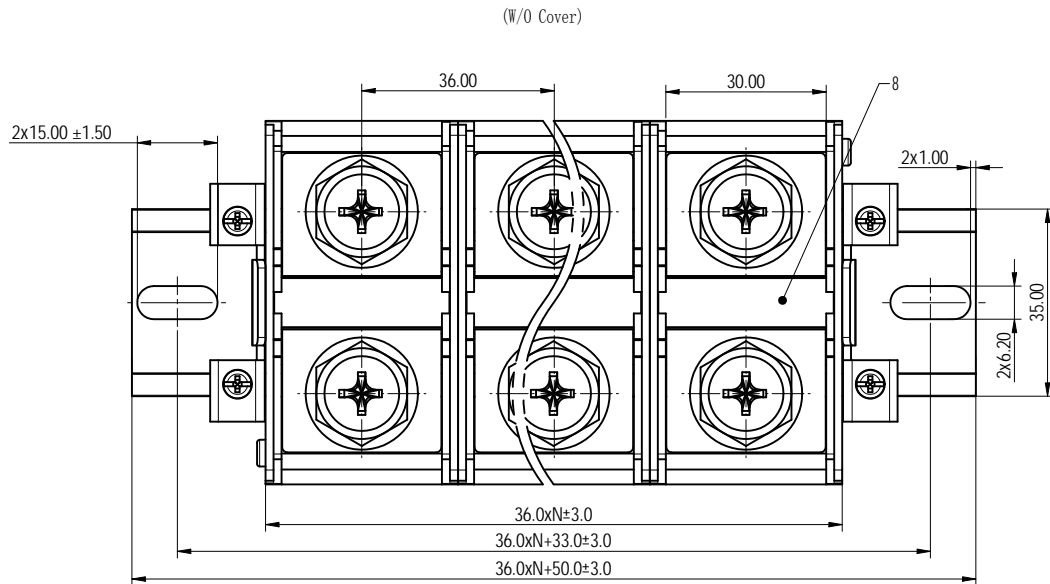


公差/General tolerances (mm)											D			
0	>3	>6	>10	>18	>30	>50	>80	>120	>180	>250		>315	>400	>500
±0.12	±0.18	±0.22	±0.26	±0.31	±0.37	±0.57	±0.80	±0.93	±1.05	±1.15	±1.60	±2.20	±2.50	0.1/10
													±2	



The A&Z(H) in the name means:A(H) and Z(H)

ITEM	NAME OF PART	MATERIAL	NOTES
10	Nut	Steel	M10/Zn Plated
9	Housing2	PC	UL94V-0
8	Tag	PVC	UL94V-0
7	Rail	AL	/
6	Screw2	Steel	M3/Zn Plated
5	Fastener	SPCC	Zn Plated
4	Current carrier	Cooper	Ni plated
3	Screw	Steel	M10/Zn Plated
2	Cover	PC	UL94V-2
1	Housing1	PC	UL94V-0

UL 标准/UL Standard	B	C	D
额定电压/电压/Rated Voltage(V)/Current(A)	600/240	600/240	600/5
螺丝扭矩/Torque Tightening(Lb.in)	M10, 35.44		
线径范围(硬线和软线)/Wire Range(rigid and flexible)(Kcmil)	4-250		
间距/Pitch(mm)/线数范围/Poles	36.00(N-01-16P)		
使用温度范围/Operating temperature(°C)	-40~+125		
符合RoHS环保要求/Conform to RoHS	Yes		

DEGSON MATERIAL: / SURFACE/COLOR: /
 MAT NO./REV: / / 00 MAT STATUS: 批量

NAME: DGR240-XXP-1Y-10A&Z(H)

APPD: 蓝美凡	2023.07.22	NAME	
CHKD: 曹利彬	2023.07.22	DRAWING NO.	200060713
DRFT: 曹利彬	2023.07.22	TYPE	CUSTOMER DRAWING
		DRAWING STATUS	已发布
		SCALE	1:1
		SHEET	1/1

REV	ECN	DESCRIPTION	DRFT	DATE	比例/Scale	图例/Icon
00			曹利彬	2023.07.22		

Transfer or duplication of this document as well as the utilization of its contents without the written permission of DEGSON is prohibited. 未经授权复制或传播本文件及其内容，或未经许可使用其内容，均属侵权行为。 版权所有，保留所有权利。 如有任何疑问，请联系本公司技术支持人员。