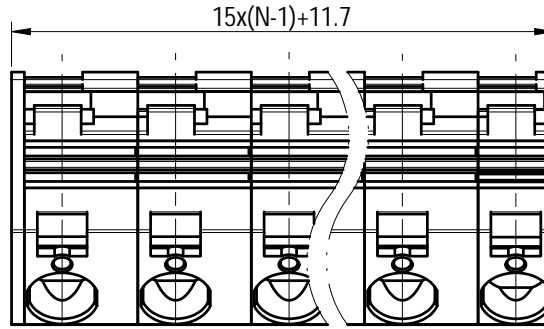
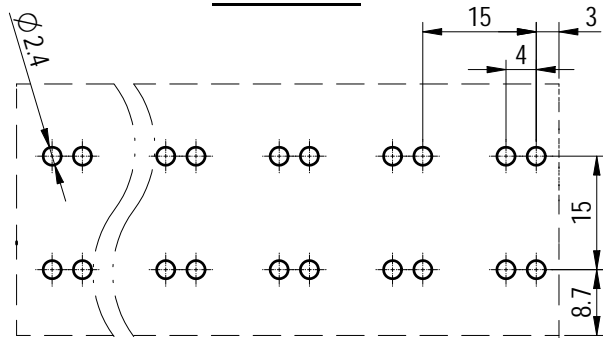
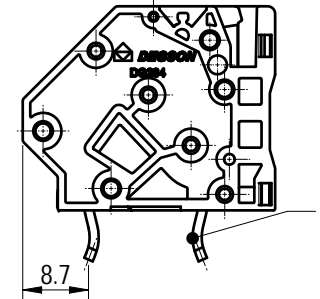
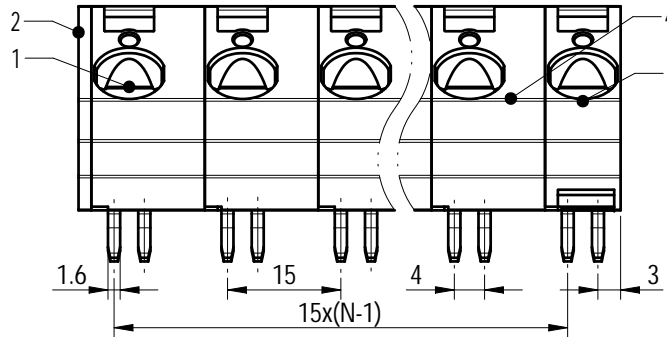
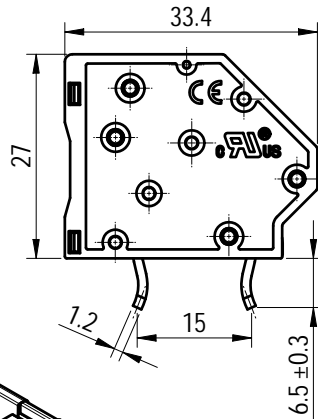


PCB LAYOUT



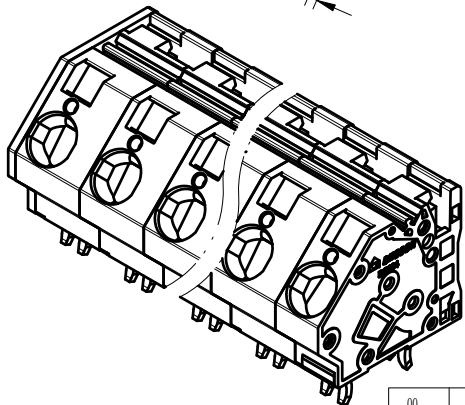
公差/General tolerances (mm)												0.1/10	
0	>3	>6	>10	>18	>30	>50	>80	>120	>180	>250	>315		>400
~3	~6	~10	~18	~30	~50	~80	~120	~180	~250	~315	~400	~500	>500
±0.12	±0.18	±0.22	±0.26	±0.31	±0.37	±0.57	±0.80	±0.93	±1.05	±1.15	±1.60	±2.20	±2.50

UL 标准/UL Standard:	B	C	D
额定电压/电流/Rated Voltage(V)/Current(A)	300/66	300/66	/
IEC 标准/IEC Standard:			
过压类别/Overvoltage Category/污染等级/Pollution Degree	III/3	III/2	II/2
额定电压/电流/Rated Voltage(V)/Current(A)	630/76	1000/76	1000/76
额定脉冲电压/Rate Impulse Voltage(KV)	8	8	8
线径范围(硬线和软线)/Wire Range (rigid and flexible)(AWG/mm ²)	24~4 / 0.2~16		
间距/Pitch(mm)/线数范围/Poles	15.0/N=02~09P		
剥线长度/Stripping length(mm)	12~13		
使用温度范围/Operating temperature(°C)	-40~+105		
符合RoHS环保要求/Conform to RoHS	Yes		



Note:
The A&Z(H) in the name means: A(H) and Z(H).

ITEM	NAME OF PART	MATERIAL	NOTES
5	Pin header	Copper Alloy	Sn plated
4	Mid Housing	PA66	UL94V-0
3	Side Housing	PA66	UL94V-0
2	Cover	PA66	UL94V-0
1	Spring	Stainless steel	/



REV	ECN	DESCRIPTION	DRFT	DATE
00			柳学龙	2022.12.13

		MATERIAL: /	SURFACE/COLOR: /	
APPD: 兰春华 2022.12.14		MAT NO./REV: - / 00	MAT STATUS: 批量	
CHKD: 陈招 2022.12.14		NAME		
DRFT: 柳学龙 2022.12.13		DG264-15.0-XXP-1Y-00A&Z(H)		
DRAWING NO.	TYPE	DRAWING STATUS	SCALE	SHEET
200025446	CUSTOMER DRAWING	已发布	2:1	1/1

Transfer or duplication of this document as well as the utilization or communication of its contents are prohibited unless authorized in writing by Degson. All rights reserved for patent. 未经授权复制或传播本文件内容及在本文件基础上进行二次开发等行为均属于侵权行为。 除专利号外，其他内容均受法律保护。 未经授权，不得复制或传播本文件内容。