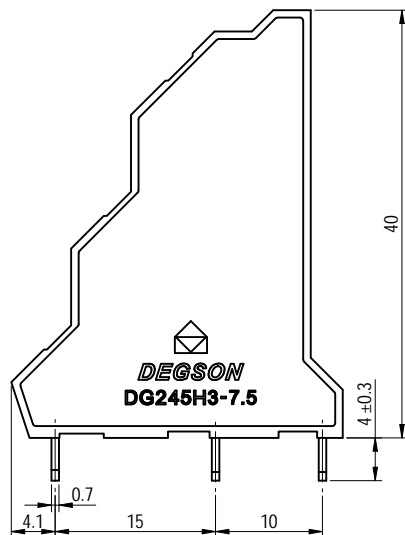
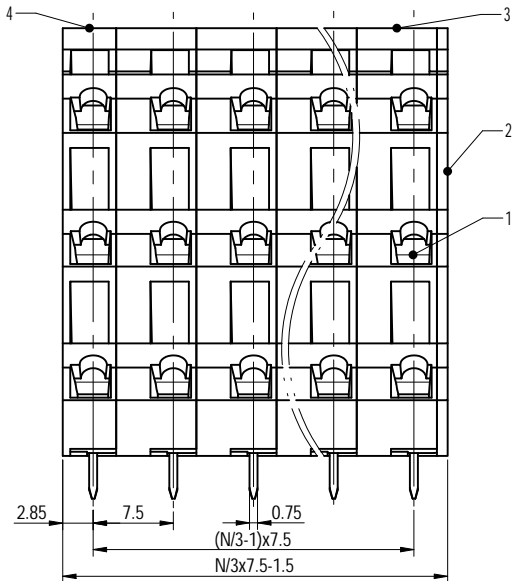
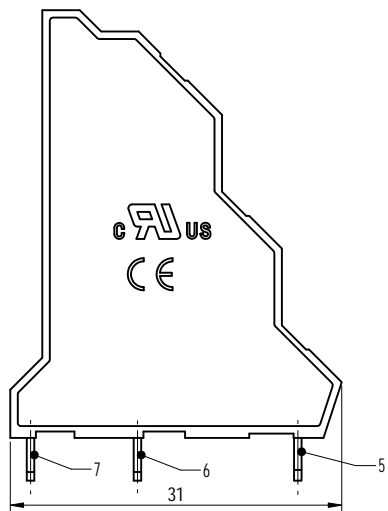
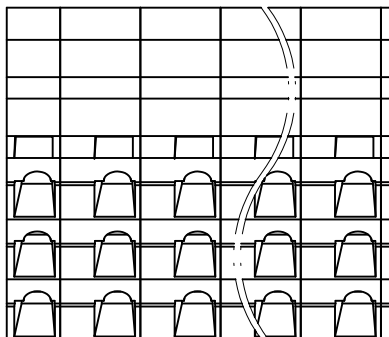
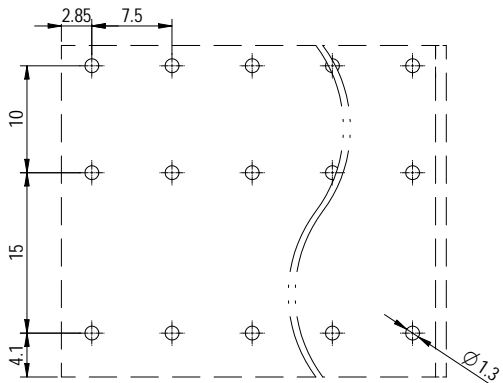
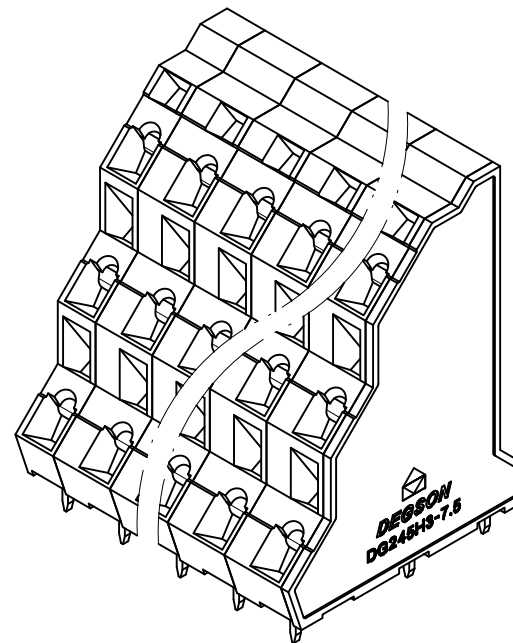


PCB LAYOUT



未注公差/General tolerances (mm)											0.1/10 ±2		
0	>3	>6	>10	>18	>30	>50	>80	>120	>180	>250		>315	>400
~3	~6	~10	~18	~30	~50	~80	~120	~180	~250	~315	~400	~500	~500
±0.12	±0.18	±0.22	±0.26	±0.31	±0.37	±0.57	±0.80	±0.93	±1.05	±1.15	±1.60	±2.20	±2.50
UL 标准/UL Standard:											B	C	D
额定电压/电压/Rated Voltage (V)/Current (A)											300/10	/	300/10
IEC 标准/IEC Standard:													
过压类别/Overvoltage Category/污染等级/Pollution Degree											III/3	III/2	II/2
额定电压/电压/Rated Voltage (V)/Current (A)											400/21	630/21	1000/21
额定脉冲电压 (KV) /Rate Impulse Voltage (KV)											6	6	6
线径范围 (硬线和软线) /Wire Range (rigid and flexible) (AWG/mm²)											28-12 / 0.2-2.5		
间距/Pitch (mm) /线数范围/Poles											7.5/N=06-48P, 72P		
剥线长度/Stripping length (mm)											5-6		
使用温度范围/Operating temperature (°C)											-40--+105		
符合RoHS环保要求/Conform to RoHS											Yes		



Note:
The A&Z (H) in the name means: A (H) and Z (H).

7	Pin header 3	Copper	Sn plated
6	Pin header 2	Copper	Sn plated
5	Pin header 1	Copper Alloy	Sn plated
4	Housing 2	PA66	UL94V-0
3	Housing 1	PA66	UL94V-0
2	Cover	PA66	UL94V-0
1	Spring	Stainless steel	/
ITEM	NAME OF PART	MATERIAL	NOTES

DEGSON		MATERIAL: /	SURFACE/COLOR: /	
APPD: 兰春华	2023.02.14	MAT NO./REV: -	/00	MAT STATUS: 批量
CHKD: 陈超	2023.02.13	NAME: DG245H3-7.5-XXP-1Y-00A&Z(H)		
DRFT: 黎学龙	2023.02.13	DRAWING NO.	TYPE	DRAWING STATUS
00	ECN	200025649	CUSTOMER DRAWING	已发布
REV	DESCRIPTION	SCALE	2:1	SHEET
				1/1

00			黎学龙	2023.02.13
REV	ECN	DESCRIPTION	DRFT	DATE

Transfer or duplication of this document as well as the utilization of its contents without the written permission of DEGSON is prohibited. All rights reserved for patent. 复制或再行发布此文件以及在没有 DEGSON 书面许可的情况下使用其内容均被禁止。所有权利均保留。 未经授权复制或再行发布此文件以及在没有 DEGSON 书面许可的情况下使用其内容均被禁止。所有权利均保留。