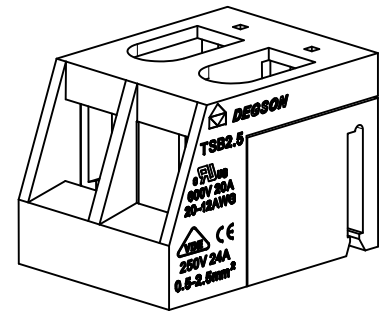
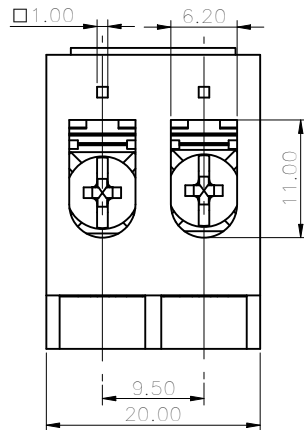
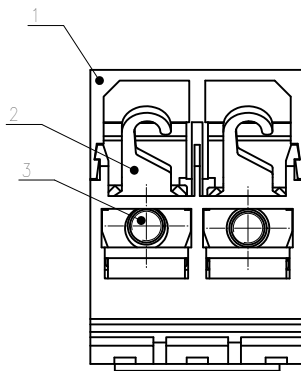
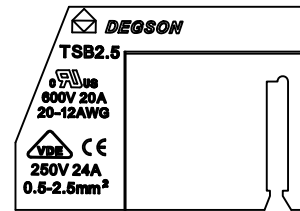
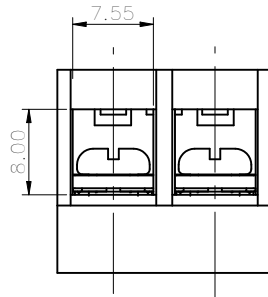
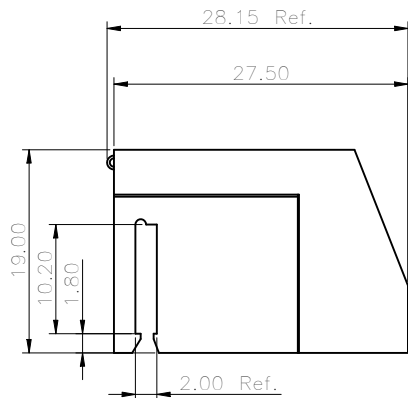


未注公差 (General Tolerances)(mm)											D 0.1/10				
>3	>3	>6	>10	>18	>30	>50	>80	>120	>180	>250					
~3	~3	~6	~10	~18	~30	~50	~80	~120	~180	~250	>315	>400	>500	>500	±2
±0.10											±0.10				
±0.18											±0.22				
±0.24											±0.31				
±0.37											±0.57				
±0.80											±0.93				
±1.05											±1.15				
±1.60											±2.20				
±2.50											±2.50				



please refer to the 3D model, for those unmarked dimensions



Note: The A&Z(H) in the name means:A(H)and Z(H).

ITEM	NAME OF PART	MATERIAL	NOTES
3	Screw	Steel	M3.5/Ni Plated
2	Pin header	Copper alloy	Sn Plated
1	Housing	PA66	UL94 V-0

UL 标准/UL Standard:	B	C	D
额定电压/电压/Rated Voltage(V)/Current(A)	600/20	600/20	600/5
EC 标准/EC Standard:			
额定电压/电压/Rated Voltage(V)/Current(A)	250/24		
螺丝扭矩/Torque Tightening(N·m/lb.in)	M3.5, 0.2/7.0		
线径范围/硬线和软线/Wire Range(rigid and flexible)(AWG/mm²)	20~12 / 0.5~2.5		
间距/Pitch(mm)/线数范围/Polcs	9.5/N=02P		
剥线长度/Stripping length(mm)	8~10		
使用温度范围/Operating temperature(°C)	-40~+105		
符合RoHS/环保要求/Conform to RoHS	Yes		
标准颜色编号/Standard color numbers:RAL	RAL 2000		

DEGSON		MATERIAL:	SURFACE:	
APPD:	崔美凡	MAT NO./REV: 10070000028-1 / 00		MAT STATUS: 批量
CHKD:	曹利影	NAME		
DRFT:	姜民浩	TSB2.5-02P-15-01A&Z(H)		
REV	ECN	DESCRIPTION	DRFT	DATE
00		P0M图纸转移TC, 由T0升级到S00		
		DRAWING NO. 200013355		TYPE CUSTOMER DRAWING
		DRAWING STATUS 已发布		SCALE 2:1
				SHEET 1/1

REV	ECN	DESCRIPTION	DRFT	DATE
00		P0M图纸转移TC, 由T0升级到S00		

Transfer or duplication of this document as well as the utilization of its contents for any purpose without the written permission of DEGSON is strictly prohibited. All rights reserved for patent, utility, model or design registration. 未经授权复制或传播本文件及其内容, 或在本文件基础上进行任何形式的使用, 均属于侵权行为, 公司将依法追究。 本文件的所有权归德格森公司所有, 未经德格森公司书面许可, 不得复制或传播本文件及其内容。