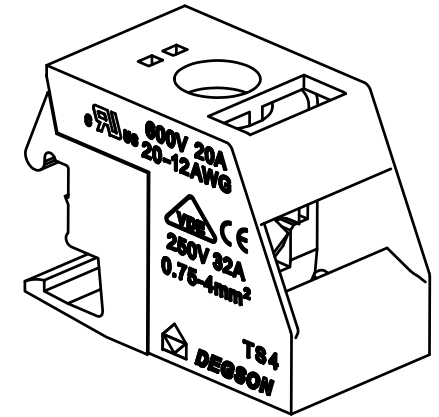
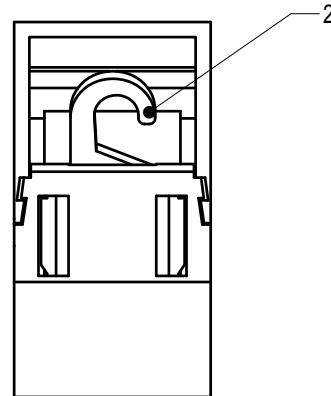
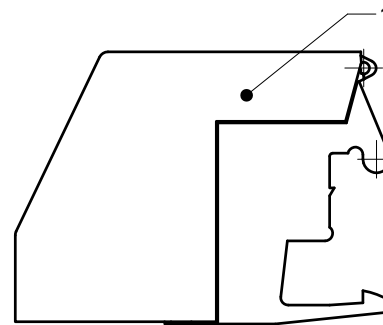
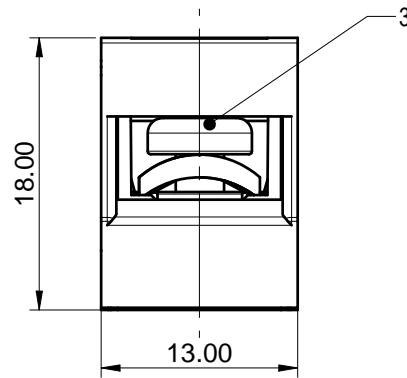
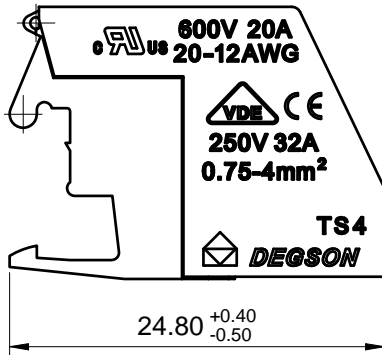
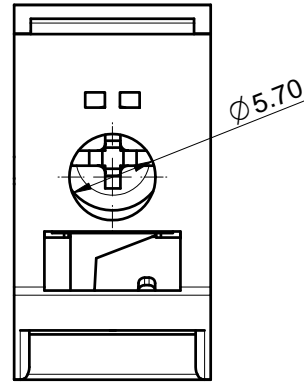


未注公差/General tolerances(mm)													0.1/10
0	>3	>6	>10	>18	>30	>50	>80	>120	>180	>250	>315	>400	
~3	~6	~10	~18	~30	~50	~80	~120	~180	~250	~315	~400	~500	>500
±0.12	±0.18	±0.22	±0.26	±0.31	±0.37	±0.57	±0.80	±0.93	±1.05	±1.15	±1.60	±2.20	±2.50



Note:
The A&Z (H) in the name means: A (H) and Z (H).

ITEM	NAME OF PART	MATERIAL	NOTES
3	Screw	Steel	Zn Plated
2	Pin header	Copper	Sn Plated
1	Housing	PA66	UL94V-0

UL 标准/UL Standard:		B	C	D
额定电压/电流/Rated Voltage(V)/Current(A)		600/20	600/20	/
IEC 标准/IEC Standard:				
额定电压/电流/Rated Voltage(V)/Current(A)		250/32		
额定脉冲电压(KV)/Rate Impulse Voltage(KV)		2		
螺丝扭矩/Torque Tightening(N·m/Lb.in)		M4, 1.2/10.6		
线径范围(硬线和软线)/Wire Range(rigid and flexible)(AWG/mm²)		20~12 / 0.75~4.0		
间距/Pitch(mm)/线数范围/Poles		N=01P		
剥线长度/Stripping length(mm)		8~10		
使用温度范围/Operating temperature(°C)		-40~+105		
符合RoHS环保要求/Conform to RoHS		Yes		

		MATERIAL:	SURFACE/COLOR:	
		MAT NO./REV:	MAT STATUS: 批量	
APPD: 蓝贵凡	2022.11.15	NAME		
CHKD: 曹利彬	2022.11.15	TS4-01P-1Y-01A&Z(H)		
DRFT: 虞倩松	2022.11.15	DRAWING NO.	TYPE	DRAWING STATUS
		CUSTOMER DRAWING		已发布
		SCALE	SHEET	
		2:1	1/1	

REV	ECN	DESCRIPTION	DRFT	DATE
00		由PDM1版升级至TC00版	虞倩松	2022.11.15

Transfer or duplication of this document as well as the utilization or communication of its contents are prohibited unless explicitly authorized. All rights reserved for patent, utility model or design registrations. 非经书面授权, 严禁复制或传播。 侵权必究。 本公司保留对涉及发明、实用新型和外观设计专利的所有权利。