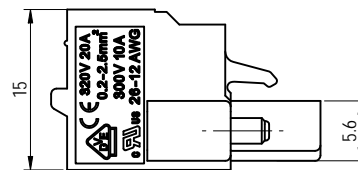
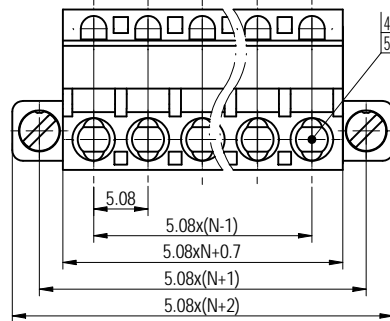
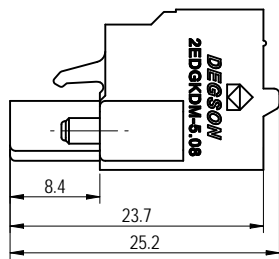
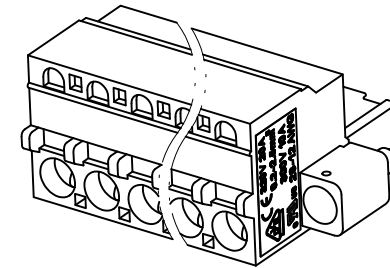
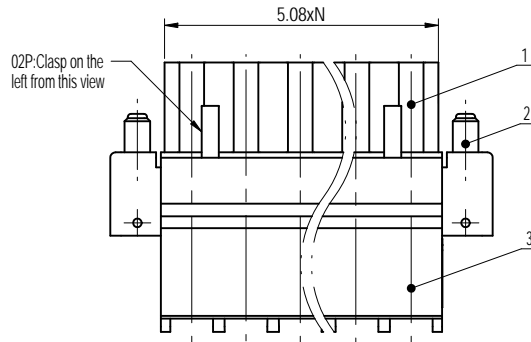


公差/General tolerances (mm)													0.1/10 ±2
0	>3	>6	>10	>18	>30	>50	>80	>120	>180	>250	>315	>400	
~3	~6	~10	~18	~30	~50	~80	~120	~180	~250	~315	~400	~500	
±0.12	±0.18	±0.22	±0.26	±0.31	±0.37	±0.57	±0.80	±0.93	±1.05	±1.15	±1.60	±2.20	±2.50



Note:  
The A&Z(H) in the name means: A(H) and Z(H).

ITEM	NAME OF PART	MATERIAL	NOTES
5	Spring	Stainless steel	/
4	Clamp	Copper alloy	Sn Plated
3	Housing	PA66	UL94V-0
2	Screw	Steel	M2.5/Zn Plated
1	Cover	PA66	UL94V-0

UL 标准/UL Standard:	B	C	D
额定电压/电流/Rated Voltage(V)/Current(A)	300/10	/	300/10
IEC 标准/IEC Standard:			
过压类别/Overvoltage Category/污染等级/Pollution Degree	III/3	III/2	II/2
额定电压/电流/Rated Voltage(V)/Current(A)	/	320/20	/
额定脉冲电压(KV)/Rate Impulse Voltage(KV)	/	4	/
螺丝扭矩/Torque Tightening(N·m/Lb.in)		M2.5: 0.4/3.54	
线径范围(硬线和软线)/Wire Range(rigid and flexible)(AWG/mm²)		26~12 / 0.2~2.5	
间距/Pitch(mm)/线数范围/Poles		5.08/N=02~16P	
剥线长度/Stripping length(mm)		9~10	
使用温度范围/Operating temperature(°C)		-40~+105	
符合RoHS环保要求/Conform to RoHS		Yes	
标准颜色编号/Standard color number: PANTONE / RAL		/	

<b>DEGSON</b>		MATERIAL:	SURFACE/COLOR:		
APPD: 兰春华	2022.12.16	MAT NO./REV:	/ 01	MAT STATUS:	批量
CHKD: 黄耀志	2022.12.15	NAME: 2EDGKDM-5.08-XXP-1Y-00A&Z(H)			
DRFT: 刘强	2022.12.15	DRAWING NO.	TYPE	DRAWING STATUS	SCALE
REV	ECN	DESCRIPTION	DRFT	DATE	
00				2022.12.15	
		DRAWING NO. 200030546		TYPE CUSTOMER DRAWING	DRAWING STATUS 已发布
		SCALE 2:1		SHEET 1/1	

REV	ECN	DESCRIPTION	DRFT	DATE
00				2022.12.15

Transfer or duplication of this document, as well as the utilization or reproduction of its contents without the written consent of DEGSON, is strictly prohibited. All rights reserved for patent. 复制或再行发布此文件, 以及未经许可擅自使用或复制其内容, 均属于侵权行为, 特此声明。所有权利均受专利保护。