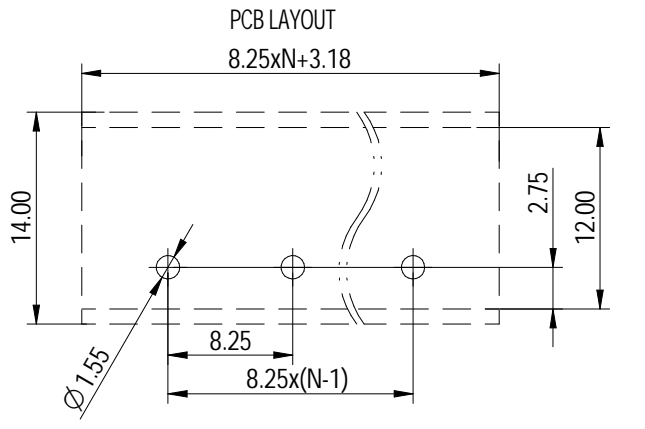
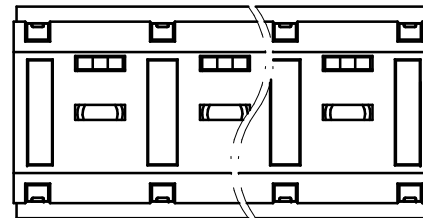
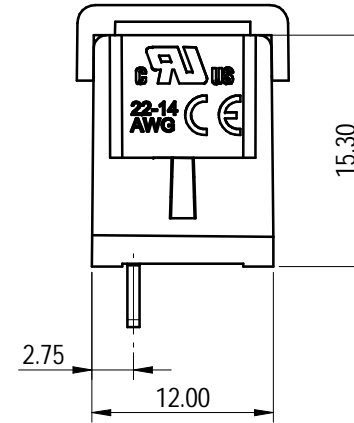
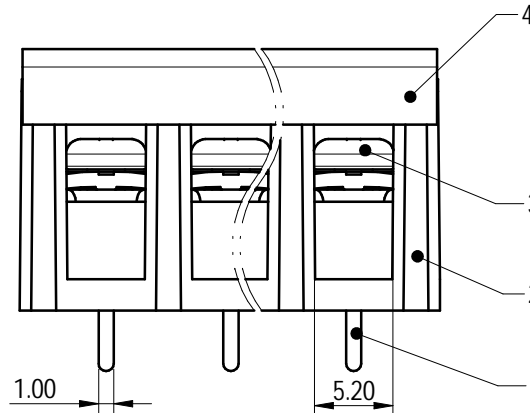
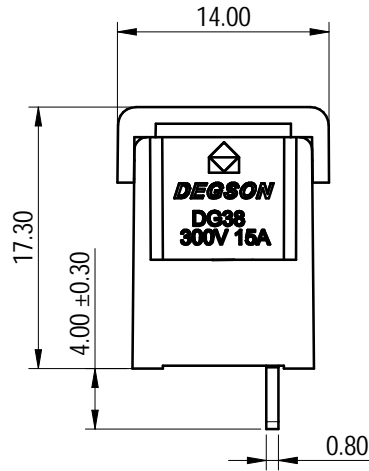
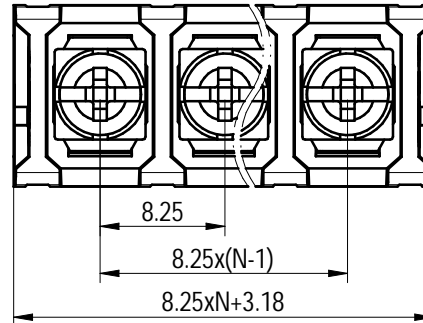


Transfer or duplication of this document as well as the utilization or communication of its contents are prohibited unless authorized in general. Weights, dimensions, etc. are for reference only. All rights reserved for patent. 除专利声明外，其他内容均仅供参考。未经本公司许可，不得复制或传播。本公司保留对涉及发明、实用新型及外观设计专利的权利。

未注公差/General tolerances (mm)													0.1/10 ±2'
0	>3	>6	>10	>18	>30	>50	>80	>120	>180	>250	>315	>400	
~3	~6	~10	~18	~30	~50	~80	~120	~180	~250	~315	~400	~500	~500
±0.12	±0.18	±0.22	±0.26	±0.31	±0.37	±0.57	±0.80	±0.93	±1.05	±1.15	±1.60	±2.20	±2.50

W/O COVER



UL 标准/UL Standard:	B	C	D
额定电压/电流/Rated Voltage(V)/Current(A)	300/15	150/15	300/10
UL工频耐压/R.M.S withstand voltage	AC2000V/1Min.		
螺丝扭矩/Torque Tightening(N·m/Lb.in)	M3, 0.5/4.43		
线径范围(硬线和软线)/Wire Range(rigid and flexible)(AWG)	22~14		
间距/Pitch(mm)/线数范围/Poles	8.25/N=02~26P		
剥线长度/Stripping length(mm)	5~6		
使用温度范围/Operating temperature(°C)	-40~+105		
符合RoHS环保要求/Conform to RoHS	Yes		

Note: The A&Z(H) in the name means: A(H) and Z(H).

ITEM	NAME OF PART	MATERIAL	NOTES
4	Cover	PC	UL94V-2
3	Screw	Steel	M3/Ni Plated
2	Housing	PA66+GF	UL94V-0
1	Pin header	Copper alloy	Sn Plated

		MATERIAL: /	SURFACE/COLOR: /		
APPD: 蓝贵凡 2023.09.06		MAT NO./REV: / / 00	MAT STATUS: 批量		
CHKD: 曹利彬 2023.09.06		NAME			
DRFT: 汪德荣 2023.09.06		DG38S-B-XXP-1Y-00A&Z(H)			
DRAWING NO.	TYPE	DRAWING STATUS	SCALE	SHEET	
200221847	CUSTOMER DRAWING	已发布	2:1	1/1	

REV	ECN	DESCRIPTION	DRFT	DATE
00	/	/	汪德荣	2023.09.06