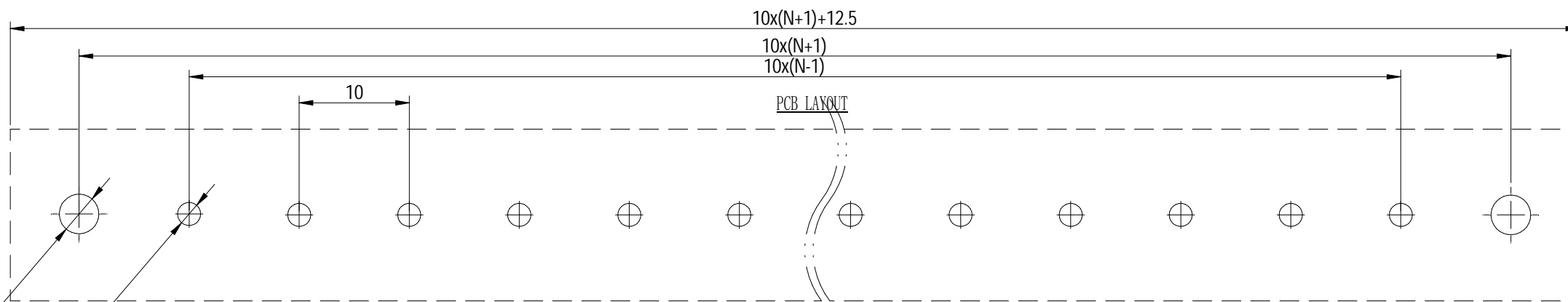
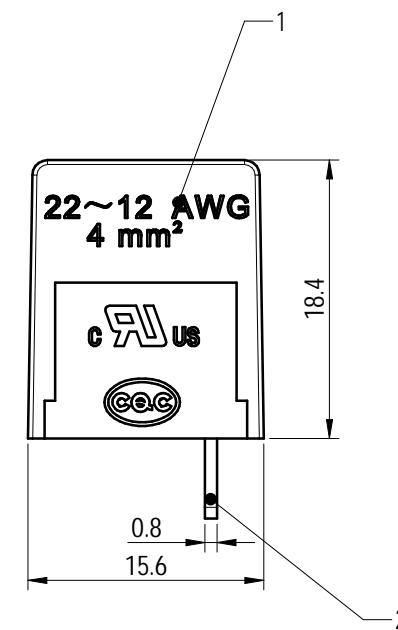
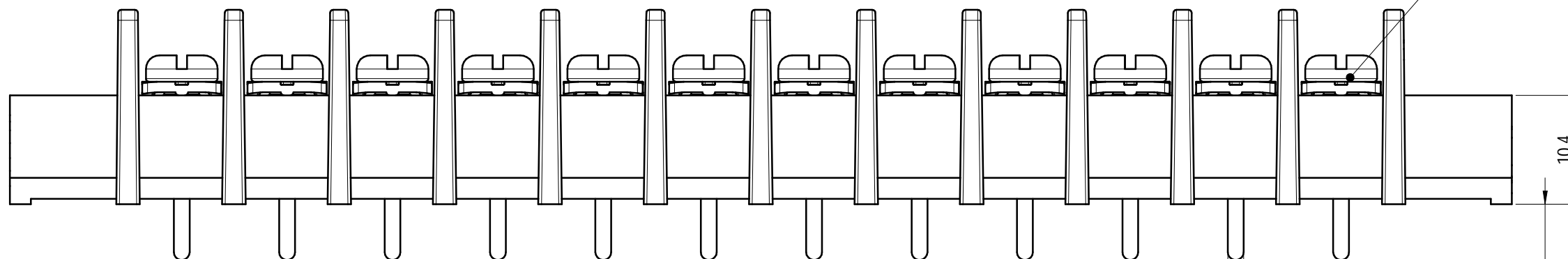
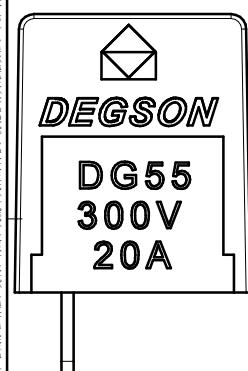
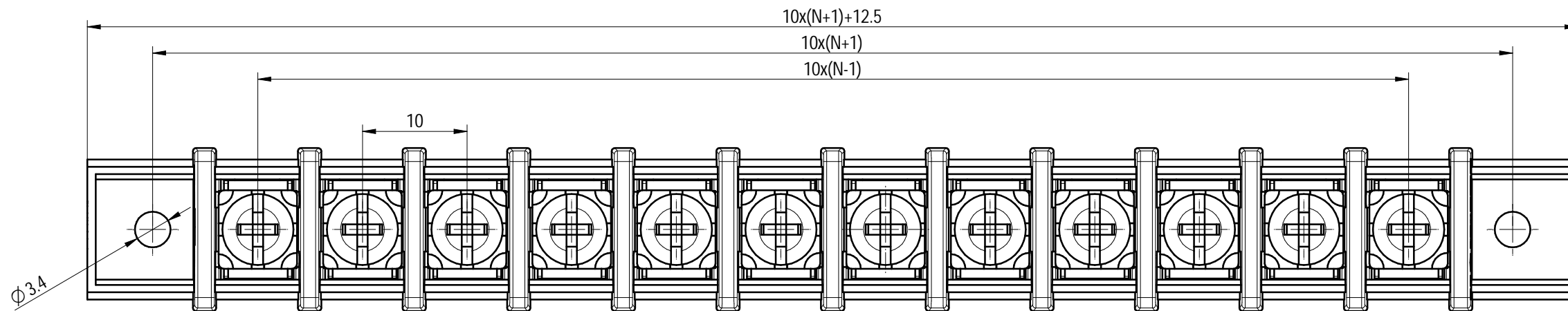


未注公差/General tolerances (mm)											0.1/10 ±2'		
0 ~ 3	>3 ~ 6	>6 ~ 10	>10 ~ 18	>18 ~ 30	>30 ~ 50	>50 ~ 80	>80 ~ 120	>120 ~ 180	>180 ~ 250	>250 ~ 315		>315 ~ 400	>400 ~ 500
±0.12	±0.18	±0.22	±0.26	±0.31	±0.37	±0.57	±0.80	±0.93	±1.05	±1.15	±1.60	±2.20	±2.50



Note: The A&Z (H) in the name means :A(H) and Z(H)

ITEM	NAME OF PART	MATERIAL	NOTES
3	Screw	Steel	M4/Ni plated
2	Pin header	Brass	M4/Sn plated
1	Housing	PA66	UL94V-0

UL 标准/UL Standard:	B	C	D
额定电压/电/流/Rated Voltage(V)/Current(A)	300/20	300/20	300/10
UL工频耐压/R.M.S withstand voltage	AC2000V/1Min		
螺丝扭矩/Torque Tightening(N·m/Lb.in)	M4, 1.2/10.53		
线径范围(硬线和软线)/Wire Range(rigid and flexible)(AWG/mm²)	22~12 / 0.32~3.3		
间距/Pitch(mm)/线数范围/Poles	10/N=02~24P		
使用温度范围/Operating temperature(°C)	-40~+105		
符合RoHS环保要求/Conform to RoHS	Yes		

DEGSON MATERIAL: / SURFACE/COLOR: /
 MAT NO./REV: / // MAT STATUS: /
 APPD: 核准人 核准日期 NAME
 CHKD: 审核人 审核日期
 DRFT: 设计人 设计日期
 DRAWING NO. 200321555 TYPE CUSTOMER DRAWING DRAWING STATUS / SCALE 2:1 SHEET 1/1

REV	ECN	DESCRIPTION	DRFT	DATE
00	/	/	/	/

Transfer or duplication of this document, as well as the utilization or communication of its contents are prohibited unless explicit authorization is granted. Violations will be liable for compensation. All rights reserved for patent. 复制或再行使用本文件, 以及利用其内容或进行传播, 均须经本公司事先书面授权。否则, 一经发现, 即视为侵权行为, 本公司将依法追究法律责任。保留所有权利, 侵权必究。