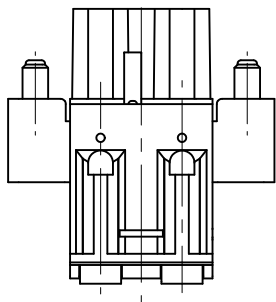
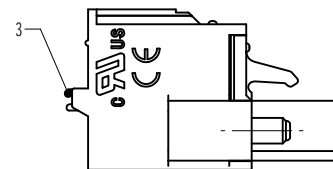
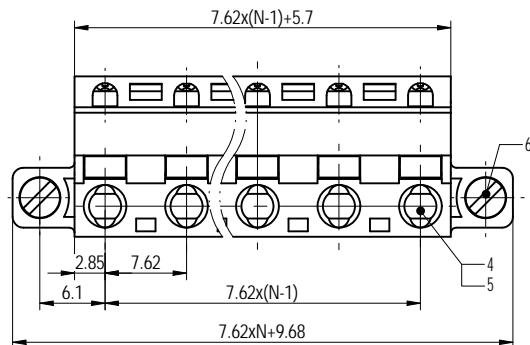
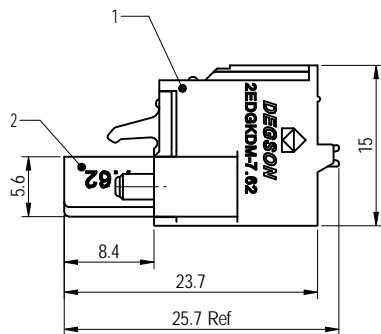
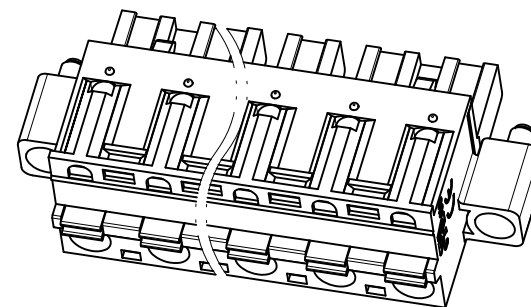
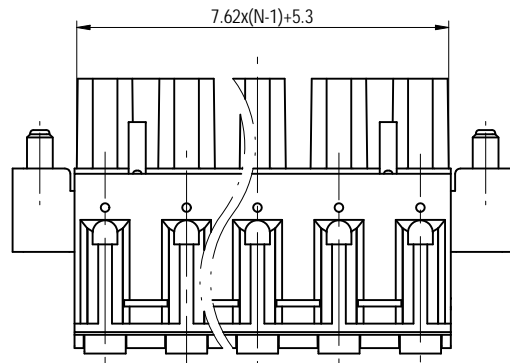


02P



公差/General tolerances(mm)														
0	>3	>6	>10	>18	>30	>50	>80	>120	>180	>250	>315	>400	>500	0.1/10
±0.12	±0.18	±0.22	±0.26	±0.31	±0.37	±0.57	±0.80	±0.93	±1.05	±1.15	±1.60	±2.20	±2.50	±2'



Note: The A&Z(H) in the name means:A(H) and Z(H).

ITEM	NAME OF PART	MATERIAL	NOTES
6	Screw	Steel	M2.5/Zn Plated
5	Spring	Stainless steel	/
4	Clamp	Copper alloy	Sn Plated
3	Button	PA66	UL94V-0
2	Cover	PA66	UL94V-0
1	Housing	PA66	UL94V-0

UL 标准/UL Standard:	B	C	D
额定电压/电流/Rated Voltage(V)/Current(A)	300/10	/	300/10
IEC 标准/IEC Standard:			
过压类别/Overvoltage Category/污染等级/Pollution Degree	III/3	III/2	II/2
额定电压/电流/Rated Voltage(V)/Current(A)	400/20	400/20	630/20
额定脉冲电压(KV)/Rate Impulse Voltage(KV)	4	4	4
螺丝扭矩/Torque Tightening(N·m/Lb.in)	M2.5:0.4/3.6		
线径范围(硬线和软线)/Wire Range(rigid and flexible)(AWG/mm²)	26~12 / 0.2~2.5		
间距/Pitch(mm)/线数范围/Poles	7.62/N=02~16P		
剥线长度/Stripping length(mm)	9~10		
使用温度范围/Operating temperature(°C)	-40~+105		
符合RoHS环保要求/Conform to RoHS	Yes		

**DIOSON** MATERIAL: SURFACE/COLOR: MAT NO./REV: - / 00 MAT STATUS: 批量

APPD: 兰春华 2022.11.15 NAME: 2EDGKDM-7.62-XXP-1Y-00A&Z(H)

CHKD: 黄耀志 2022.11.14

DRFT: 周锦德 2022.11.14

DRAWING NO. TYPE DRAWING STATUS SCALE SHEET

200021155 CUSTOMER DRAWING 已发布 2:1 1/1

REV	ECN	DESCRIPTION	DRFT	DATE
00			周锦德	2022.11.14

Transfer or duplication of this document as well as the utilization of its contents without the written permission of the copyright holder is prohibited. All rights reserved for patent.