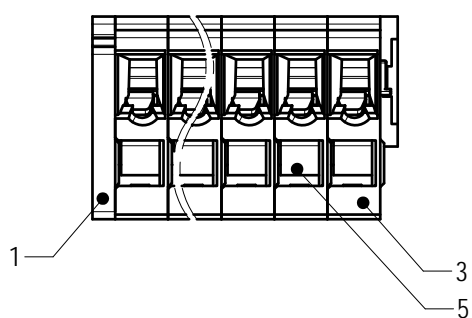
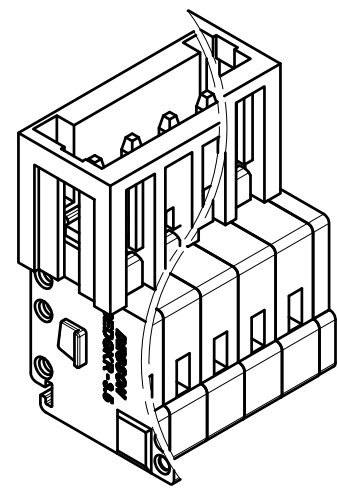
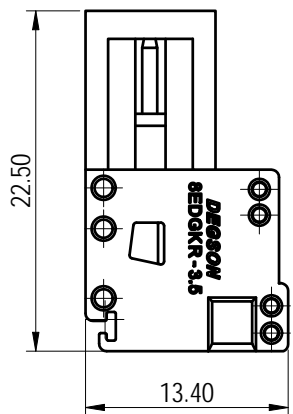
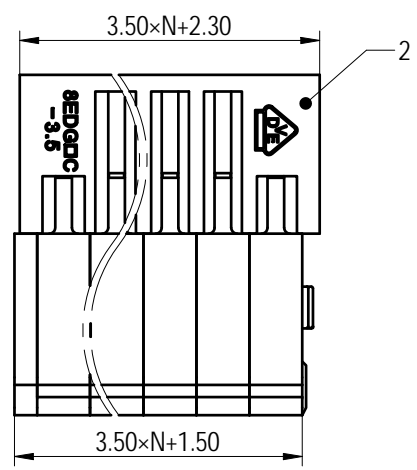
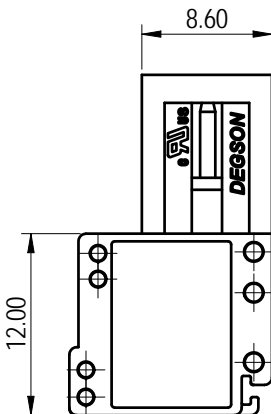
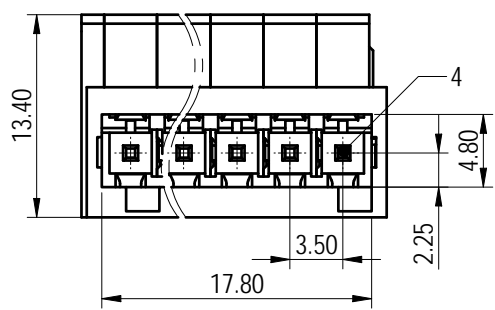


Transfer or duplication of this document as well as the utilization or communication of its content are prohibited unless authorized in writing. All rights reserved for patent, utility model or design registrations. 除专利、实用新型、外观设计注册外，其他内容均受法律保护。未经授权，不得复制或传播。 本公司保留对涉及发明、实用新型及外观设计的所有权利。

未注公差/General tolerances (mm)													0.1/10
0	>3	>6	>10	>18	>30	>50	>80	>120	>180	>250	>315	>400	
~3	~6	~10	~18	~30	~50	~80	~120	~180	~250	~315	~400	~500	±2'
±0.12	±0.18	±0.22	±0.26	±0.31	±0.37	±0.57	±0.80	±0.93	±1.05	±1.15	±1.60	±2.20	



Note: The A&Z(H) in the name means: A(H) and Z(H).

ITEM	NAME OF PART	MATERIAL	NOTES
5	Spring	Stainless steel	/
4	Pin header	Copper	Sn Plated
3	Housing 2	PA66	UL94V-0
2	Housing 1	PA66	UL94V-0
1	Cover	PA66	UL94V-0

UL 标准/UL Standard:	B	C	D
额定电压/电流/Rated Voltage(V)/Current(A)	300/10	/	300/10
IEC 标准/IEC Standard:			
过压类别/Overvoltage Category/污染等级/Pollution Degree	III/3	III/2	II/2
额定电压/电流/Rated Voltage(V)/Current(A)	130/20	/	/
线径范围(硬线和软线)/Wire Range(rigid and flexible)(AWG/mm²)	28~14 / 0.2~1.5		
额定脉冲电压(KV)/Rate Impulse Voltage(KV)	2.5		
间距/Pitch(mm)/线数范围/Poles	3.5/N=02~24P		
使用温度范围/Operating temperature(°C)	-40~+105		
符合RoHS环保要求/Conform to RoHS	Yes		

<b>DEGSON</b>		MATERIAL:	SURFACE/COLOR: PAYTONE 428C		
APPD: 蓝贵凡 2023.02.22		MAT NO./REV:	/ 00 MAT STATUS: 批量		
CHKD: 曹利彬 2023.02.22		NAME			
DRFT: 孙科豪 2023.02.22		8EDGKR-3.5-XXP-1Y-01A&Z(H)			
DRAWING NO. 200123127		TYPE	CUSTOMER DRAWING	DRAWING STATUS	已发布
SCALE 2:1		SHEET 1/1			

REV	ECN	DESCRIPTION	DRFT	DATE
00				

