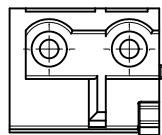
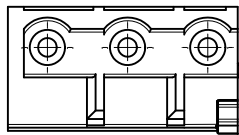


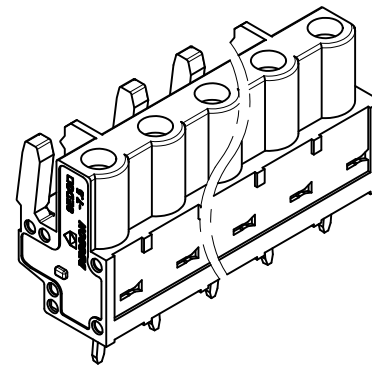
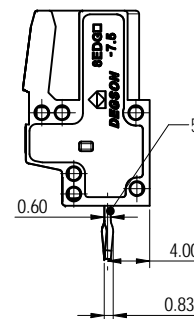
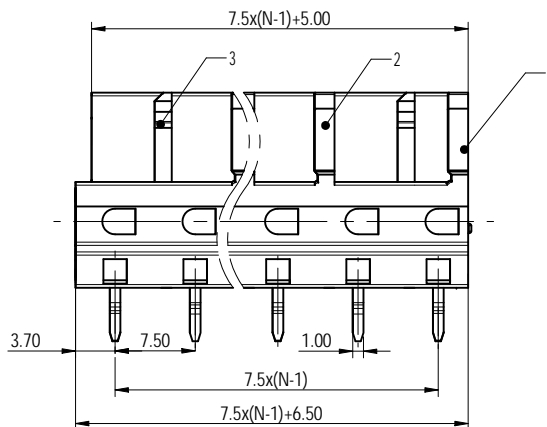
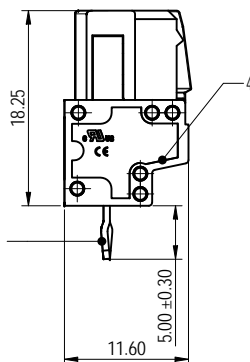
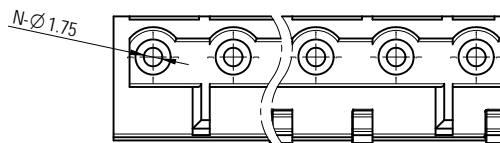
未注公差/General tolerances (mm)														
0	>3	>6	>10	>18	>30	>50	>80	>120	>180	>250	>315	>400	>500	0.1/10
±0.12	±0.18	±0.22	±0.28	±0.31	±0.37	±0.57	±0.80	±0.93	±1.05	±1.15	±1.60	±2.20	±2.50	±2°



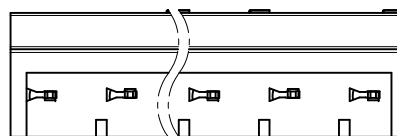
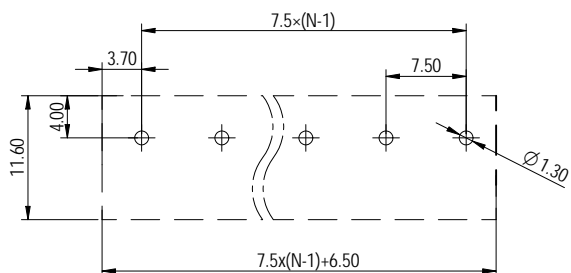
02P



03P



PCB LAYOUT



Note: The A&Z (H) in the name means: A(H) and Z(H).

ITEM	NAME OF PART	MATERIAL	NOTES
5	Clamp	Copper	Sn plated
4	Cover	PA66	UL94V-0
3	Housing2	PA66	UL94V-0
2	Housing1	PA66	UL94V-0
1	Side housing	PA66	UL94V-0

UL 标准/UL Standard:		B	C	D
额定电压/电流/Rated Voltage(V)/Current(A)		300/15	/	300/10
IEC 标准/IEC Standard:				
过压类别/Overvoltage Category/污染等级/Pollution Degree		III/3	III/2	II/2
额定电压/电流/Rated Voltage(V)/Current(A)		320/20	/	/
耐受电压/Withstanding Voltage		AC2500V/1Min.		
间距/Pitch(mm)/线数范围/Poles		7.5/N=02~12P		
使用温度范围/Operating temperature(°C)		-40~+105		
符合RoHS环保要求/Conform to RoHS		Yes		

<b>DEGSON</b>		MATERIAL:		SURFACE/COLOR: pantone 428C	
APPD: 蓝黄凡	2022.12.22	MAT NO./REV: - / 00	MAT STATUS: 批量		
CHKD: 曹利影	2022.12.22	NAME: 8EDGD-7.5-XXP-11-01A&Z(H)			
DRFT: 虞伟松	2022.12.21	DRAWING NO. 200118218	TYPE CUSTOMER DRAWING	DRAWING STATUS 已发布	SCALE 2:1
00	ECN	DESCRIPTION 由POMTO版本转至T000版	DRFT 虞伟松	DATE 2022.12.21	SHEET 1/1

REV	ECN	DESCRIPTION	DRFT	DATE
00		由POMTO版本转至T000版	虞伟松	2022.12.21

Unauthorized duplication or distribution of this document is prohibited. All rights reserved for patent.