

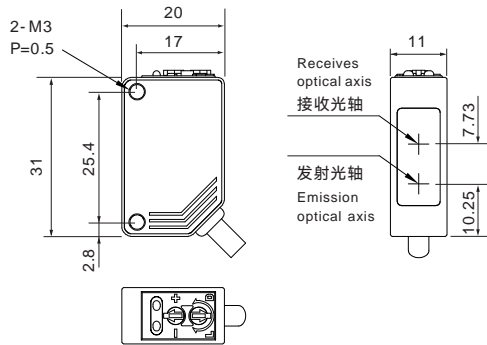
## DPSV Series



Model	
NPN	<b>DPSV-D30N</b>
PNP	<b>DPSV-D30P</b>
Basic Features	
Working principle	Photoelectric Sensors
Enclosure style	Square
How optics work	Reflection      Limited Reflection Type
Detection distance	10 ~ 300mm
Spot size	N/A( Infrared)
Detection	/
Light source	Infrared LEDs 940nm (modulated)
Light	Output function: red LED, operating status: green LED
Sensitivity regulation	1-turn potentiometer
Electrical Data	
Switch mode	Light.on (Light Action) / D.on (shading action) Switchable
Output mode	NPN or PNP open collector
Response time	1 ms
Switching frequency	2 kHz
Repeatability	≤5%
Hysteresis( Return/ Response)	≤20%
Operating voltage	10~30V DC
Current consumption	≤25mA
Residual voltage	≤1.5V (100mA)
Load current	≤100mA (30VDC)
Insulation resistance	50MΩ (500VDC) ≥ between power terminal and housing
Resistance	1000VAC (50/60Hz), 1 minute between power terminal and housing
Protection circuits	Power Reverse Polarity Protection / Output Reverse Polarity Protection / Surge Protection / Short Circuit Protection
Environmental Conditions	
Operating ambient temperature	-25 ~55°C (no freezing)
Storage temperature	-30~70°C (non-icing)
Humidity of the working environment	35~85%RH (no condensation)
Store humidity	35~95%RH (no condensation)
Ambient illumination	LED灯≤600 Lux    LED light ≤ 600 Lux
Anti vibration -	10~55Hz sweep, 1.5mm amplitude, XYZ 3 directions for 2 hours each
Ingress protection	IP65
Mechanical Data	
Maximum tightening torque	≤0.5Nm
Connection	2m/3 core cable
Size	11.0x31.0x20.0mm
Material	PBT + fiberglass
Weight	0.05kg
Fittings	Screwdriver

**DPSV Series**

## Dimensions

**DPSV-D30**


Unit: mm

## Wiring Diagram

