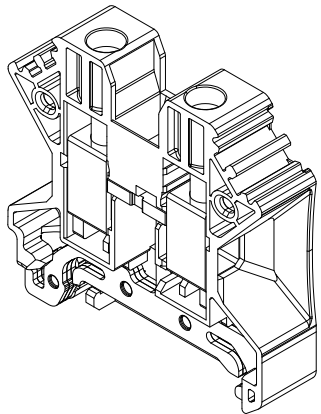
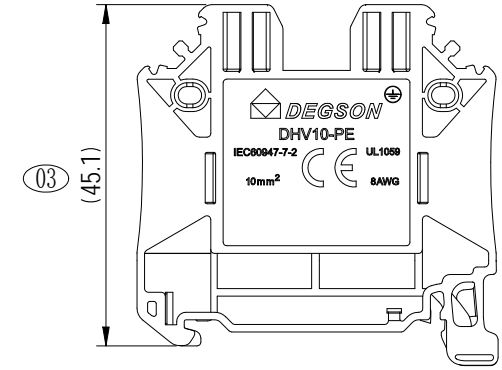
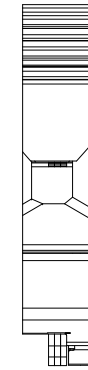
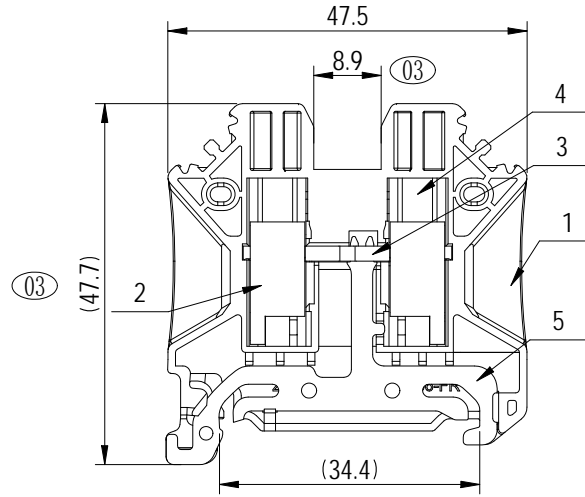
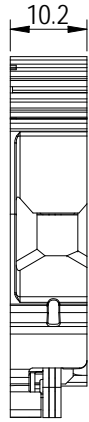
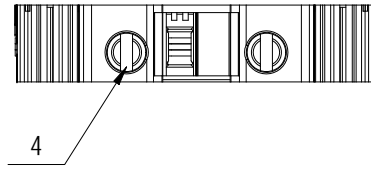


Transfer or duplication of this document as well as the utilization or communication of its content is prohibited unless explicitly permitted. Violations will be held liable for compensation. All rights reserved for patent, utility model or design registrations. 除专利、实用新型、外观设计、发明专利、软件著作权、集成电路布图设计专有权、商业秘密和未公开的源代码的所有权外，其他权利均归本公司所有。

FOR-1755 Rev. 1.8

5	PE	Copper Alloy	Sn Plated
4	Screw	Copper Alloy	M4 Ni Plated
3	Current Carrier	Copper Alloy	Sn Plated
2	Cage	Copper Alloy	Ni Plated
1	Housing	PA66	UL94 V-0
ITEM	NAME OF PART	MATERIAL	NOTES

未注公差/General tolerances (mm)													0.1/10	
0	>3	>6	>10	>18	>30	>50	>80	>120	>180	>250	>315	>400		>500
±0.12	±0.18	±0.22	±0.26	±0.31	±0.37	±0.57	±0.80	±0.93	±1.05	±1.15	±1.60	±2.20	±2.50	±2°



UL 标准/UL Standard:	B	C	D
额定电压/电压/Rated Voltage(V)/Current(A)	/	/	/
IEC 标准/IEC Standard:			
过压类别/Overtoltage Category/污染等级/Pollution Degree	III/3	III/2	II/2
额定电压/电压/Rated Voltage(V)/Current(A)	/	/	/
额定脉冲电压(KV)/Rate Impulse Voltage(KV)	8	/	/
额定扭矩/Rated Torque Tightening(N·m/Lb.in)	M4, 1.6/14.15		
螺丝扭矩范围/Torque Tightening Range(N·m/Lb.in)	M4, 1.5~ 1.8/13.2~ 15.97		
线径范围(硬线和软线)/Wire Range(rigid and flexible)(AWG mm²)	20~ 8/0.5~ 10.0 最大裸线: 6AWG 16mm²		
间距/Pitch(mm)/线数范围/Poles	10.2/NE 01P		
剥线长度/Stripping length(mm)	10~ 11		
环境温度(运行)/Ambient temperature (operation) (°C)	-60~ +105(最高短期工作温度, 电气特性相对温度。)		
符合RoHS环保要求/Conform to RoHS	Yes		

DEGSON		MATERIAL:	SURFACE/COLOR:		
APPD: Peng M 2024.11.12		MAT NO./REV: 11010001116-1 / 01.01		MAT STATUS: 批量	
CHKD: Lu JK 2024.11.12		NAME			
DRFT: Ye XD 2024.11.12		DHV10-PE-01P-1C-00Z (H)			
DRAWING NO.	TYPE	DRAWING STATUS	SCALE	SHEET	
200170097	CUSTOMER DRAWING	work	1:1	1/1	

03		Adapt to bridgware DFBS	Ye XD	2024.11.12
REV	ECN	DESCRIPTION	DRFT	DATE

1

2

3

4

5

6

A

B

C

D