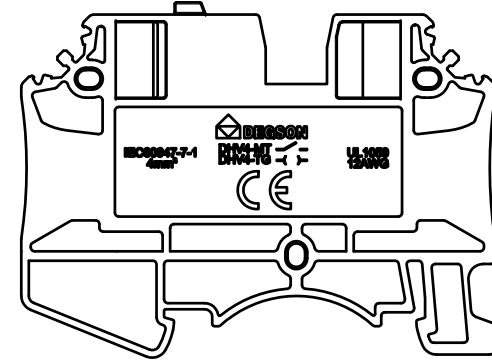
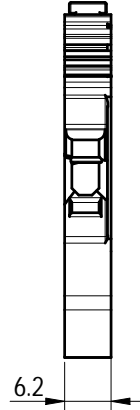
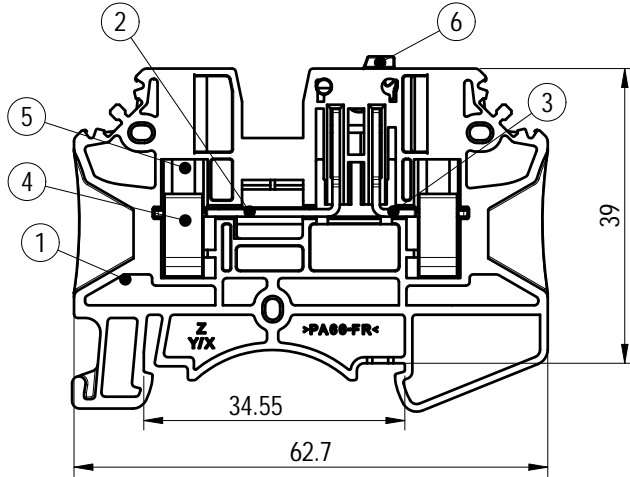


未注公差/General tolerances(mm)													0.1/10 ±2°
0 ~ 3	>3 ~ 6	>6 ~ 10	>10 ~ 18	>18 ~ 30	>30 ~ 50	>50 ~ 80	>80 ~ 120	>120 ~ 180	>180 ~ 250	>250 ~ 315	>315 ~ 400	>400 ~ 500	
±0.12	±0.18	±0.22	±0.26	±0.31	±0.37	±0.57	±0.80	±0.93	±1.05	±1.15	±1.60	±2.20	±2.50



UL 标准/UL Standard:	B	C	D
额定电压/电流/Rated Voltage(V)/Current(A)	600/16	600/16	/
IEC 标准/IEC Standard:			
过压类别/Overvoltage Category/污染等级/Pollution Degree	III/3	III/2	II/2
额定电压/电流/Rated Voltage(V)/Current(A)	500/20	/	/
额定脉冲电压(KV)/Rate Impulse Voltage(KV)	6	/	/
螺丝扭矩/Torque Tightening(N·m/Lb.in)	M3, (0.6-0.8)/(5.29-7.12)		
线径范围(硬线和软线)/Wire Range(rigid and flexible)(AWG/mm²)	26~12/0.14~4.0 最大裸线: 10AWG/6mm²		
间距/Pitch(mm)/线数范围/Poles	6.2/N=01P		
剥线长度/Stripping length(mm)	9~10		
使用温度范围/Operating temperature(°C)	-60~+105(最高短期工作温度, 电气特性相对温度。)		
符合RoHS环保要求/Conform to RoHS	Yes		
标准颜色编号/Standard color number: PANTONE / RAL	/		

6	Knife Switch	PA66/Copper	/
5	Screw	Copper alloy	Ni plated
4	Cage	Copper alloy	Ni plated
3	Current carrier 2	Copper alloy	Sn plated
2	Current carrier 1	Copper alloy	Sn plated
1	Housing	PA66	UL94V-0
ITEM	NAME OF PART	MATERIAL	NOTES

		MATERIAL: /	SURFACE/COLOR: /		
		MAT NO./REV: /	MAT STATUS: 批量		
APPD: Peng M	2024.05.15	NAME			
CHKD: Gao WG	2024.05.15	DHV4-MT-01P-1Y-00Z (H)			
DRFT: Huang RJ	2024.05.15	DRAWING NO.	TYPE	DRAWING STATUS	SCALE
		/	Customer Drawing	/	1:1
					SHEET 1/1

00	/	New product	Huang RJ	2024.05.15
REV	ECN	DESCRIPTION	DRFT	DATE

Transfer or duplication of this document as well as the utilization or communication of its contents are prohibited unless explicit authorization is granted. Violations will be liable for compensation. All rights reserved for patent, utility model or design registrations. 除专利等注册权利外, 未经许可, 复制或传播, 或在本文件内容中, 未经特别授权, 严禁复制或传播, 否则, 侵权必究。本公司保留所有权利, 侵权必究。