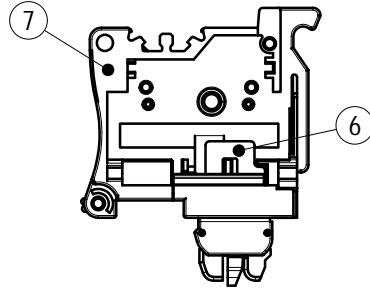
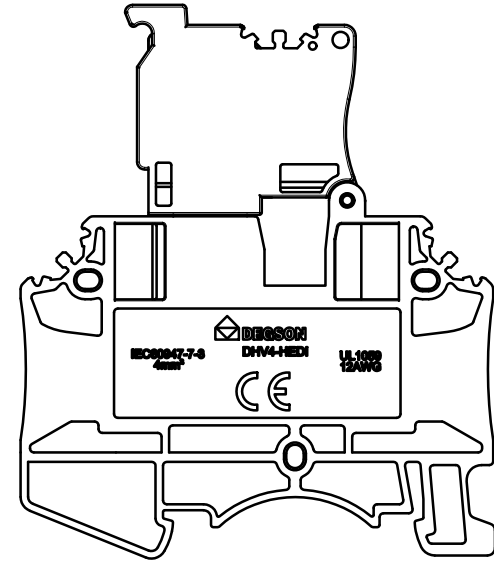
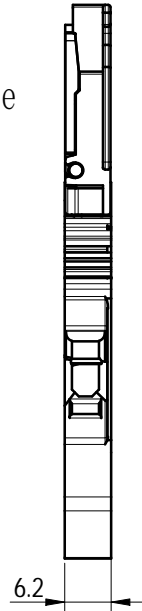
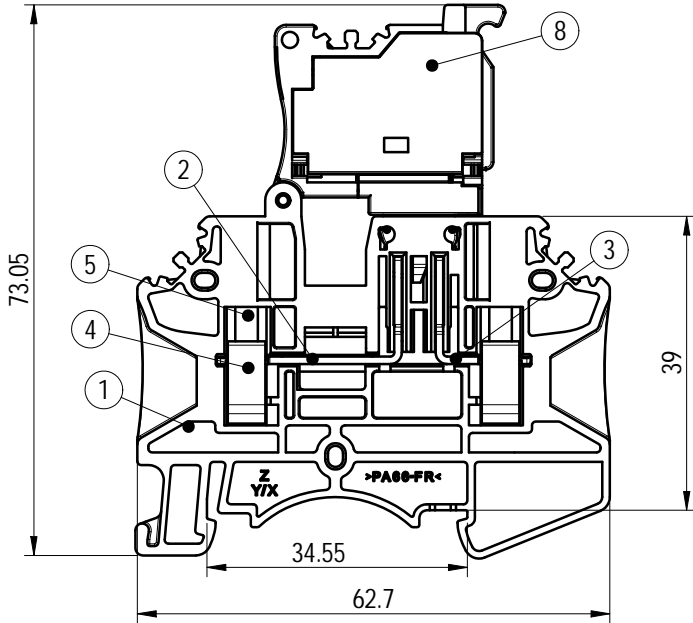


未注公差/General tolerances(mm)													0.1/10 ±2'	
0 ~ 3	>3 ~ 6	>6 ~ 10	>10 ~ 18	>18 ~ 30	>30 ~ 50	>50 ~ 80	>80 ~ 120	>120 ~ 180	>180 ~ 250	>250 ~ 315	>315 ~ 400	>400 ~ 500		>500
±0.12	±0.18	±0.22	±0.26	±0.31	±0.37	±0.57	±0.80	±0.93	±1.05	±1.15	±1.60	±2.20	±2.50	



View of fuse box without cover plate



UL 标准/UL Standard:	B	C	D
额定电压/电流/Rated Voltage(V)/Current(A)	600/16	600/16	/
IEC 标准/IEC Standard:			
过压类别/Overvoltage Category/污染等级/Pollution Degree	III/3	III/2	II/2
额定电压/电流/Rated Voltage(V)/Current(A)	500/20	/	/
额定脉冲电压(KV)/Rate Impulse Voltage(KV)	6	/	/
螺丝扭矩/Torque Tightening(N·m/Lb.in)	M3, 0.5/4.43		
线径范围(硬线和软线)/Wire Range(rigid and flexible)(AWG/mm²)	26~12/0.14~4.0 最大裸线: 10AWG/6mm²		
间距/Pitch(mm)/线数范围/Poles	6.2/N=01P		
剥线长度/Stripping length(mm)	9~10		
使用温度范围/Operating temperature(°C)	-60~+105(最高短期工作温度, 电气特性相对温度。)		
符合RoHS环保要求/Conform to RoHS	Yes		
标准颜色编号/Standard color number: PANTONE / RAL	/		

ITEM	NAME OF PART	MATERIAL	NOTES
8	Cover	PA66	UL94V-0
7	Fuse Housing	PA66	UL94V-0
6	Current carrier 3	Copper alloy	Sn plated
5	Screw	Copper alloy	Ni plated
4	Cage	Copper alloy	Ni plated
3	Current carrier 2	Copper alloy	Sn plated
2	Current carrier 1	Copper alloy	Sn plated
1	Housing	PA66	UL94V-0

		MATERIAL: /	SURFACE/COLOR: /	
APPD: Peng M	2024.05.15	MAT NO./REV: /	MAT STATUS: 批量	
CHKD: Gao WG	2024.05.15	NAME		
DFT: Huang RJ	2024.05.15	DHV4-HEDI-01P-1Y-00Z (H)		
⑤	④	DRAWING NO. /	TYPE Customer Drawing	DRAWING STATUS /
⑥	⑦	SCALE 1:1	SHEET 1/1	

00	/	New product	Huang RJ	2024.05.15
REV	ECN	DESCRIPTION	DRFT	DATE

Transfer or duplication of this document as well as the utilization or communication of its contents are prohibited unless authorization is granted. Violations will be liable for compensation. All rights reserved for patent, utility model or design registrations. 除专利号申请权外, 其他权利均保留。未经许可, 复制或传播本文件内容, 或在本文件内容中增加、删减、修改、仿制、复制或传播任何内容, 均属于侵权行为, 侵权者将承担法律责任。 未经授权, 复制或传播本文件内容, 或在本文件内容中增加、删减、修改、仿制、复制或传播任何内容, 均属于侵权行为, 侵权者将承担法律责任。