



DRPB-1C-SSR-DXX/DXX

**特点**

- 负载电流: 2A、3A、4A、5A
- 控制电压: 5VDC、12VDC、24VDC
- 介质耐压: 2500Vrms
- MOSFET输出
- 电路板安装方式
- 可选插座, 导轨安装
- 符合 RoHS

**Features**

- Load Current: 2A, 3A, 4A, 5A
- Control Voltage: 5VDC, 12VDC, 24VDC
- Dielectric Strength: 2500Vrms
- MOSFET Output
- PCB Mounted
- Optional socket, rail mounting
- RoHS Compliant

**常用继电器组合 Relay Combination Quickcheck**

继电器 Relay	底座 Socket	套装输入电压 Assembled Input Voltage	套装输出电压 Assembled Output Voltage	套装输出电流 Assembled Output Current	套装型号-螺钉 Assembled Model-Screw	套装型号-直插 Assembled Model-Push-in	导通时间 Turn-on Time	关断时间 Turn-off Time
DRPB-1C-SSR-D24/D24/5-09Z(H)	螺钉:DSRC08A-F3-00Z(H) 直插:DPRC08A-F3-00Z(H)	24VDC	24VDC	5A	DRPBS-1C-SSR-L-D24/D24/5-09Z(H)	DRPBP-1C-SSR-L-D24/D24/5-09Z(H)	20µs	150µs

**技术参数 General Specifications**
**输入参数 (Ta=25°C) Input Specifications (Ta=25°C)**

额定输入电压 Rated Input Voltage	DC5V	DC12V	DC24V	DC48V	DC60V
控制电压范围 Control Voltage Range	4-6VDC	9.6-14.4VDC	19.2-28.8VDC	38.4-57.6VDC	48-72VDC
确保导通电压 Must Turn-on Voltage	4VDC	9.6VDC	19.2VDC	38.4VDC	48VDC
确保关断电压 Must Turn-off Voltage	1VDC	1VDC	1VDC	1VDC	1VDC
最大控制电流 Maximum Input Current	25mA (@6VDC)	25mA (@14.4VDC)	25mA (@28.8VDC)	25mA (@57.6VDC)	25mA (@72VDC)
输入频率 Input Frequency	300Hz				300Hz (10Hz with AC socket)

**输出参数 (Ta=25°C) Output Specifications (Ta=25°C)**

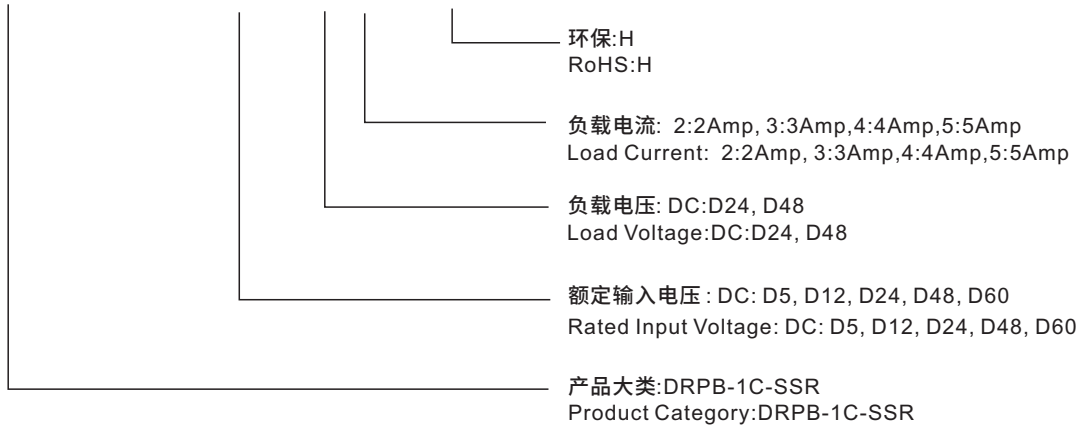
负载电压范围 Load Voltage Range	24V: 0-28.8VDC 48V: 0-36VDC			
最大瞬态电压 Maximum Transient Overvoltage	24V: 60Vpk 48V: 75Vpk			
负载电流范围 Load Current Range	2A: 0.02 - 2A	3A: 0.02 - 3A	4A: 0.02 - 4A	5A: 0.02 - 5A
TVS保护电压 Internal TVS Protection	24V: 37.1-41VDC 48V: 64.6-71.4VDC			
最大导通时间 Maximum Turn-on Time	1ms			
最大关断时间 Maximum Turn-off Time	1ms			
最大浪涌电流(在10ms内) Maximum Surge Current (@10ms)	2A: 20Apk	3A: 30Apk	4A: 40Apk	5A: 50Apk
最大静态漏电流(在额定电压下) Maximum Off-State Leakage Current@Rated Load Voltage	0.1A			
最大导通压降(在额定电流下) Maximum On-State Voltage Drop@Rated Current	0.3VDC			

**其他参数 (Ta=25°C) General Specifications (Ta=25°C)**

介质耐压(输入-输出, 50Hz/60Hz) Dielectric Strength (50/60Hz)	2500Vrms
绝缘电阻(@500VDC) Minimum Insulation Resistance (@500VDC)	1000MΩ
工作温度范围 Ambient Temperature Range	-30°C ~ +80°C
储存温度范围 Storage Temperature Range	-30°C ~ +100°C
重量(典型值) Weight (Typical)	15g

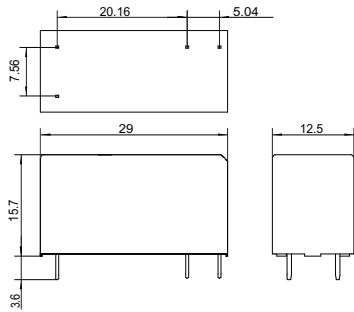
## 型号订购 Model Order

### DRPB-1C-SSR-D24/D24/5-09Z(H)



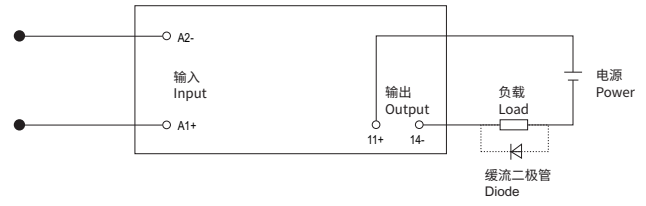
## 外形尺寸图 Overall Dimensions

DRPB-1C-SSR



## 接线图 Wiring Diagrams

DRPB-1C-SSR



## 温度曲线 Thermal Derating Curve

