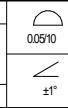
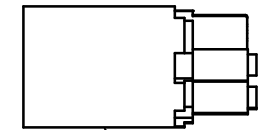


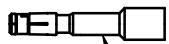
尺寸公差(mm)				
0	>30	>60	>100	>150
~30	~60	~100	~150	>150
±0.20	±0.30	±0.50	±0.70	±1.00



技术要求/Technical requirements:	
额定电压/Rated Voltage/Current	630V AC/30A (Power)
额定电压/Rated Voltage/Current	250V AC/7A (Signal)
绝缘电阻/Insulate Resistance	≥100MΩ
耐压/Withstanding Voltage	3500V AC 1min (Power)
耐压/Withstanding Voltage	2500V AC 1min (Signal)
线径范围/Wire range(mm²)	0.75-2.5(Power)
线径范围/Wire range(mm²)	0.14-1.0(Signal)
防护等级/Ingress Protection	IP67 (公母对插)
使用温度范围/Operating temperature(°C)	-20→+125



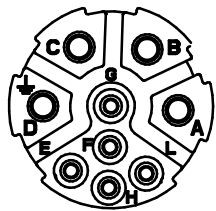
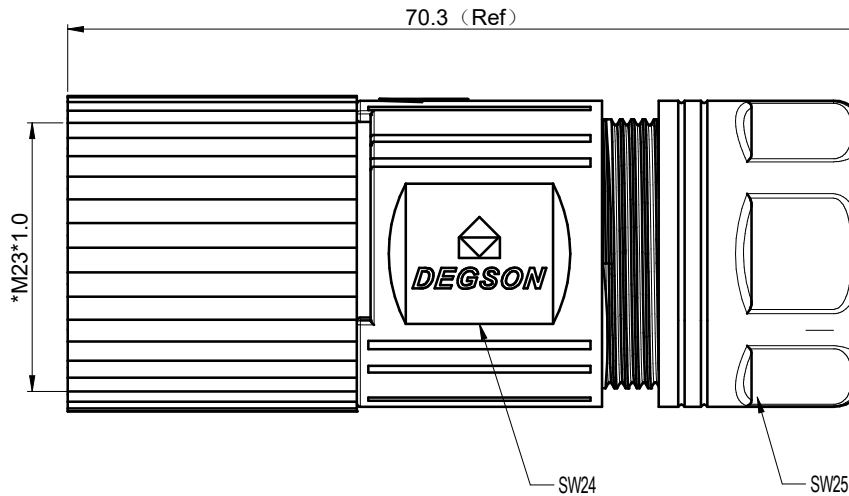
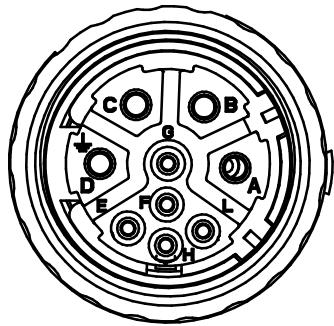
胶芯独立包装



PIN针独立包装



PIN针独立包装



Pin Assignments Front View

图纸版本	ECN	变更描述	设计人	设计日期
REV	ECN	DESCRIPTION	DRFT	DATE

		MATERIAL: 材质	SURFACE: 表面处理			
		MAT NO./REV: 20050000061	MAT STATUS: 物料状态			
APPD:		NAME PCSH-M23L-09P-FF-SL7001-00A (H)				
CHKD:						
DRFT:		DRAWING NO. 图号	TYPE PRODUCT DRAWING	DRAWING STATUS 图纸状态	SCALE 1.5:1	SHEET 1/1

Transfer or duplication of this document as well as the utilization or communication of its contents in any form without the prior written permission of DEGSON is prohibited. All rights reserved for patent, utility model or design registrations. 非经明确授权, 否则禁止转让、复制、利用、交流本文件的内容, 侵犯者将负法律责任。本公司保留对涉及发明、实用新型和外观设计的所有权利。